

1 2 3 4 5 6 7 8

A

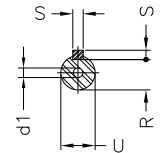
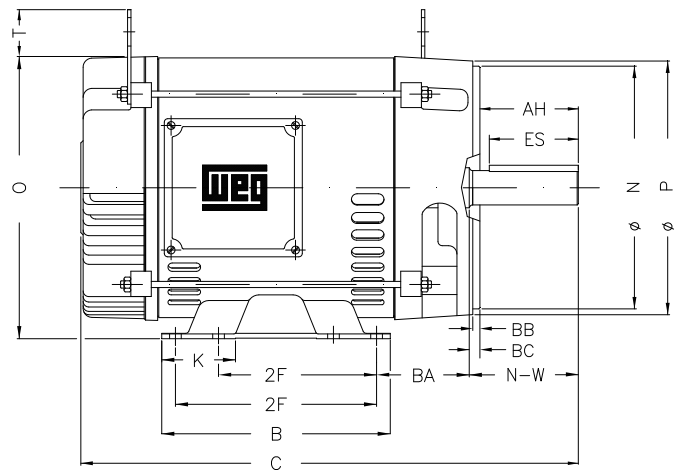
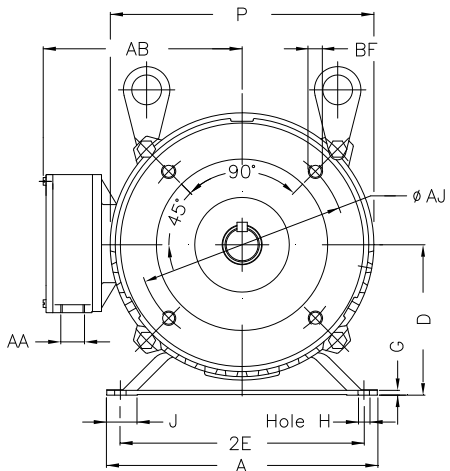
B

C

D

E

F



Notes: Downloaded from <http://dealerselectric.com>  
Generated for Model #01536OP3EFP215TC

Performed by:

Checked:

Customer:

Fire Pump Motors - ODP Three Phase - Foot Mount and Flange Mount

Three-phase induction motor  
Frame 213/5T - IP21

23-SEP-2016



2E 8.500	A 9.448	2F 5.500/7.000	B 7.952	BA 3.488
J 1.063	K 2.567	P 8.779	ES 2.480	depth 0.313
S 0.313	D 5.250	N-W 3.375	G 0.187	U 1.375
O 9.842	T 1.378	R 1.203	H 0.406	AB 8.149
C 17.165	AA NPT 1"	d1 A 4	Flange FC-184	AJ 7.250
AK 8.500	BD 8.875	BF UNC 1/2"x13	BB 0.250	BC 0.250