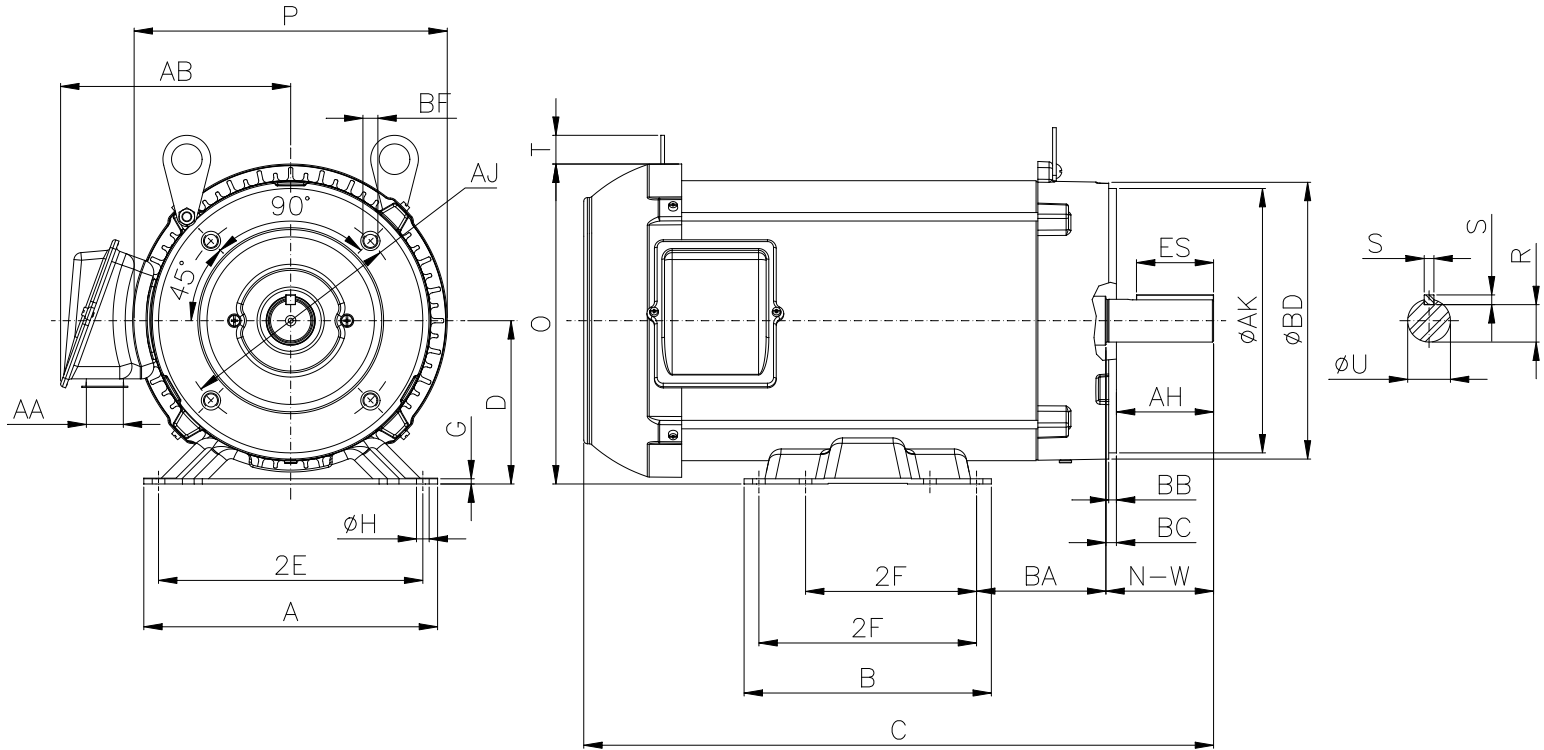


1 2 3 4 5 6 7 8

A
B
C
D
E
F



Notes: Downloaded from <http://dealerselectric.com>
Generated for Model #01536ET3ERS254TC

Performed by:

Checked:

Customer:

Three-Phase : Rolled Steel Motor - NEMA Premium Efficiency

| | | | | |
|-------------------|------------------|----------------|--------------|--------------------|
| 2E 10.000 | A 12.126 | P 11.181 | AB 7.819 | 2F 8.252/10.000 |
| B 11.417 | BA 4.750 | U 1.625 | N-W 4.000 | ES 2.756 |
| S 0.375 | R 1.416 | depth 0.375 | D 6.250 | G 0.187 |
| O 11.841 | T 0.688 | H 0.531 | C 24.925 | d1 A 4 |
| d2 A 4 | Flange FC-184 | AJ 7.250 | AK 8.500 | BD 8.875 |
| BF UNC 1/2"x13 | BB 0.250 | BC 0.250 | AH 3.750 | |

Three-phase induction motor
Frame 254T - IP55

23-SEP-2016

