

1 2 3 4 5 6 7 8

A

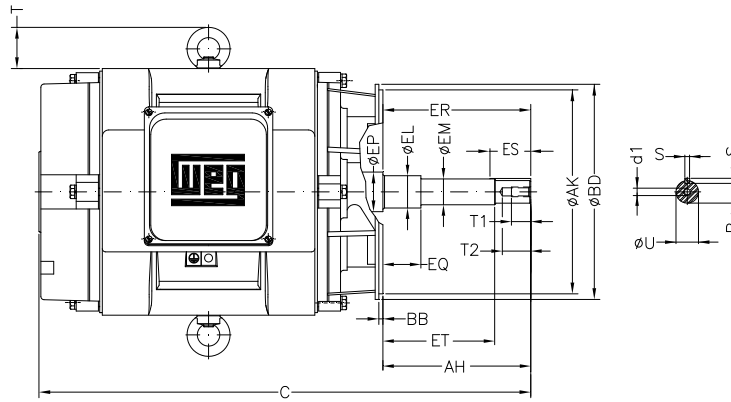
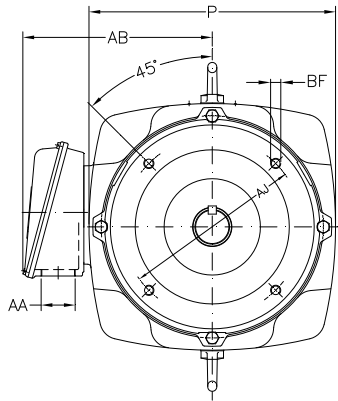
B

C

D

E

F



Notes: Downloaded from <http://dealerselectric.com>
Generated for Model #01518OP3V254JPV

Performed by:

Checked:

Customer:

Close Coupled Pump : Three-Phase - "JP" Type - ODP - High Efficiency

Three-phase induction motor
Frame 254JP - IP23

23-SEP-2016



| | | | | |
|-------------|-------------------|------------------|--------------------|-------------|
| P 11.812 | AB 10.079 | AA NPT 1 1/2" | ER 8.130 | EQ 2.382 |
| ET 5.886 | U 1.249 | EM 1.375 | EL 1.750 | S 0.250 |
| EP 1.770 | R 1.110 | ES 2.480 | d1 EUNC 1/2"-13 | t1 0.984 |
| t2 1.496 | C 25.049 | Flange FC-184 | AJ 7.250 | AK 8.500 |
| BD 8.858 | BF UNC 1/2"x13 | BB 0.250 | AH 8.130 | |