

1 2 3 4 5 6 7 8

A

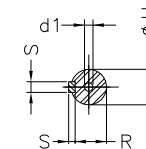
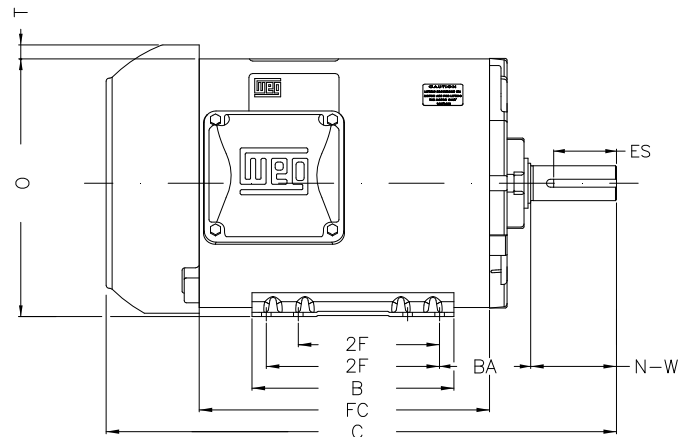
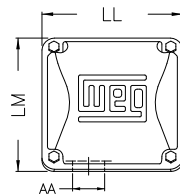
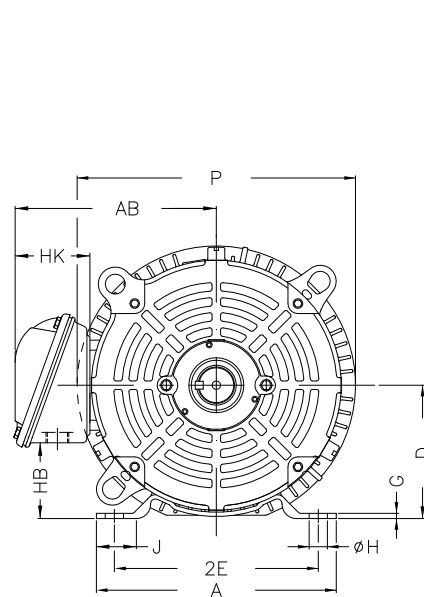
B

C

D

E

F



Notes: Downloaded from <http://dealerselectric.com>  
Generated for Model #01518ET3P254T-S

Performed by:

Checked:

Customer:

Three Phase: W01 (Rolled Steel) - TEFC - NEMA Premium Efficiency

Three-phase induction motor  
Frame 254/6T - IP55

23-SEP-2016



|        |        |              |        |        |
|--------|--------|--------------|--------|--------|
| P      | AB     | J            | 2E     | A      |
| 13.180 | 9.448  | 1.693        | 10.000 | 11.417 |
| H      | G      | HB           | HK     | T      |
| 0.530  | 0.187  | 3.631        | 3.645  | 0.830  |
| O      | FC     | 2F           | B      | C      |
| 12.010 | 12.992 | 8.252/10.000 | 11.417 | 22.559 |
| BA     | N-W    | ES           | d1     | S      |
| 4.250  | 4.000  | 2.756        | A4     | 0.375  |
| U      | AA     | depth        | R      | LL     |
| 1.625  | 1.732" | 0.375        | 1.416  | 6.299  |
| LM     | BB     | D            | CH     |        |
| 6.017  | 0.830  | 6.250        | 1.929  |        |