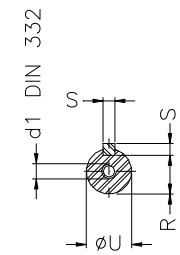
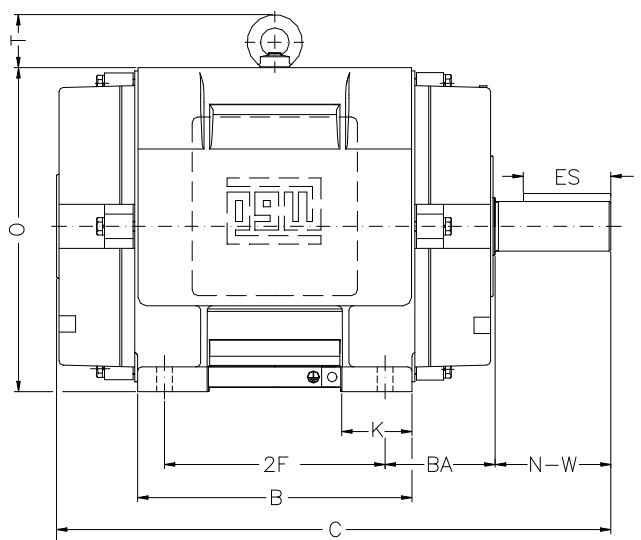
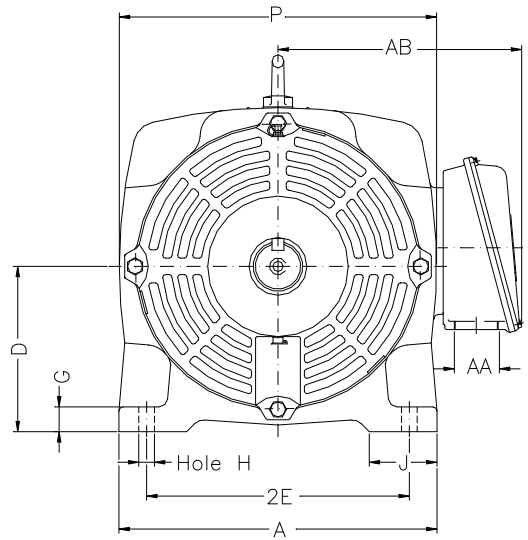


1 2 3 4 5 6 7 8

A  
B  
C  
D  
E  
F



Notes: Downloaded from <http://dealerselectric.com>  
Generated for Model #01512OS3EOW284T

Performed by:

Checked:

Customer:

Oil Well Pumping : High Slip - NEMA Design "D" - ODP

2E 11.000	A 13.780	2F 9.500	B 11.574	BA 4.750
J 3.150	K 2.960	P 13.700	ES 3.149	depth 0.500
S 0.500	N-W 4.622	U 1.875	R 1.594	AB 10.886
D 7.000	G 1.102	O 13.858	T 2.165	H 0.531
C 23.386	AA NPT 1 1/2"	d1 A 4	d2 A 4	

Three-phase induction motor  
Frame 284T - IP23

23-SEP-2016

