

1 2 3 4 5 6 7 8

A

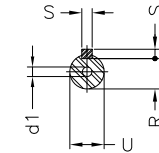
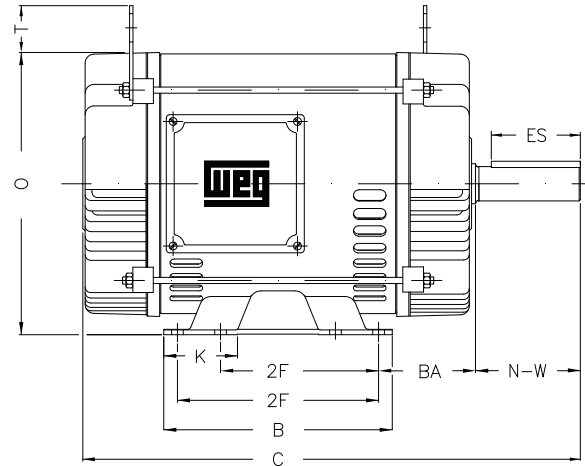
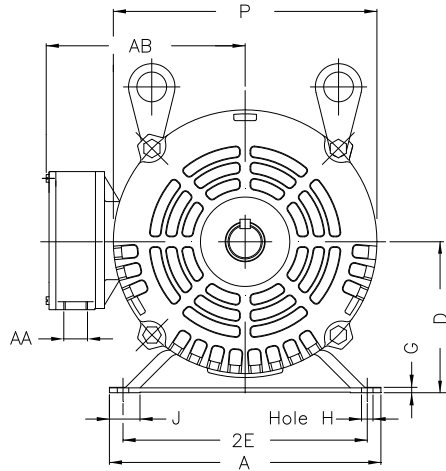
B

C

D

E

F



Notes: Downloaded from <http://dealerselectric.com>  
Generated for Model #01036OT3E213T

Performed by:

Checked:

Customer:

ODP – Open Induction Motors – NEMA Premium Efficiency

Three-phase induction motor  
Frame 213/5T - IP21

23-SEP-2016



|                   |              |              |             |             |
|-------------------|--------------|--------------|-------------|-------------|
| 2E<br>8.500       | J<br>1.063   | A<br>9.448   | P<br>8.779  | AB<br>8.149 |
| 2F<br>5.500/7.000 | K<br>2.567   | B<br>7.952   | BA<br>3.488 | U<br>1.375  |
| d1<br>A 4         | N-W<br>3.375 | ES<br>2.480  | S<br>0.313  | R<br>1.203  |
| depth<br>0.313    | D<br>5.250   | G<br>0.187   | O<br>9.842  | T<br>1.378  |
| H<br>0.406        | C<br>17.165  | AA<br>NPT 1" |             |             |