

1 2 3 4 5 6 7 8

A

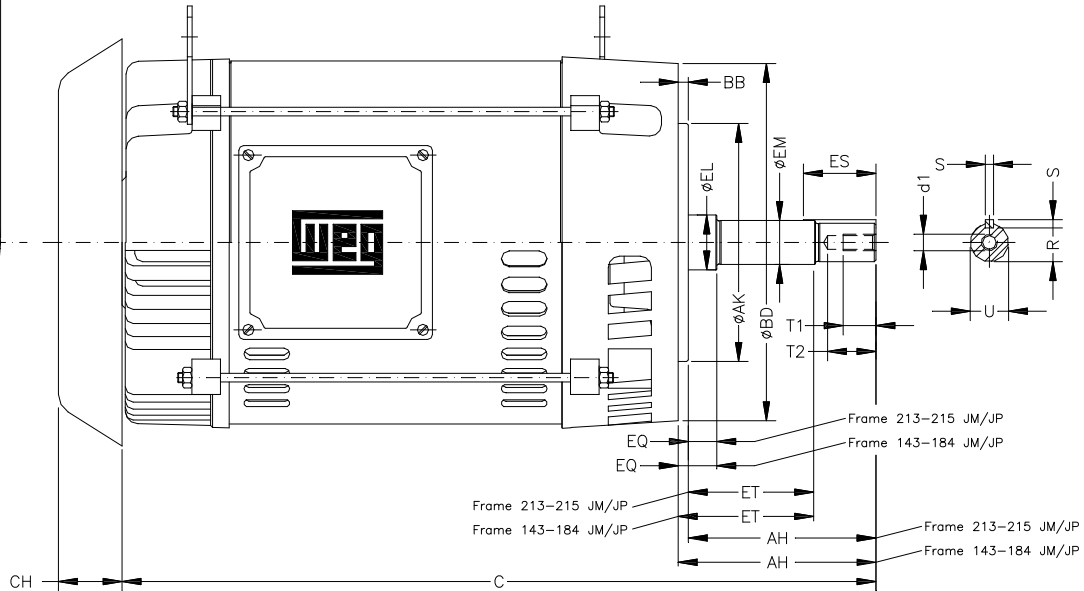
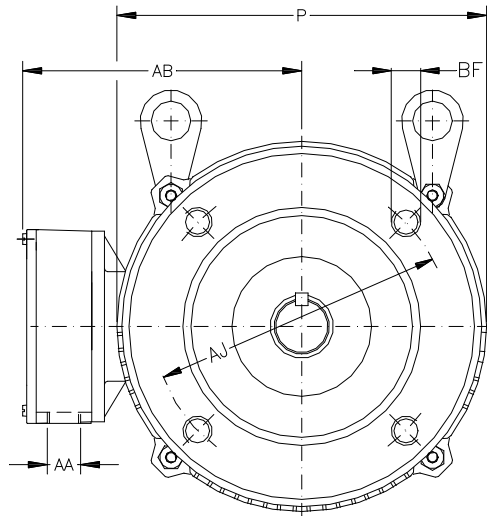
B

C

D

E

F



Notes: Downloaded from <http://dealerselectric.com>
Generated for Model #01036OP3E213JMV

Performed by:

Checked:

Customer:

Close Coupled Pump : Three-Phase - "JM" Type - ODP - High Efficiency -

Three-phase induction motor
Frame 213/5JM - IP21

13-SEP-2016



P 8.779	AB 8.149	EQ 0.630	ET 2.880	U 0.874
EM 1.000	EL 1.250	S 0.187	EP 1.769	R 0.768
ES 1.575	d1 EUNC 3/8"-16	t1 0.748	t2 1.102	C 17.323
Flange FC-184	AJ 7.250	AK 8.500	BD 8.858	BF UNC 1/2"x13
BB 0.250	AH 4.258			