

1 2 3 4 5 6 7 8

A

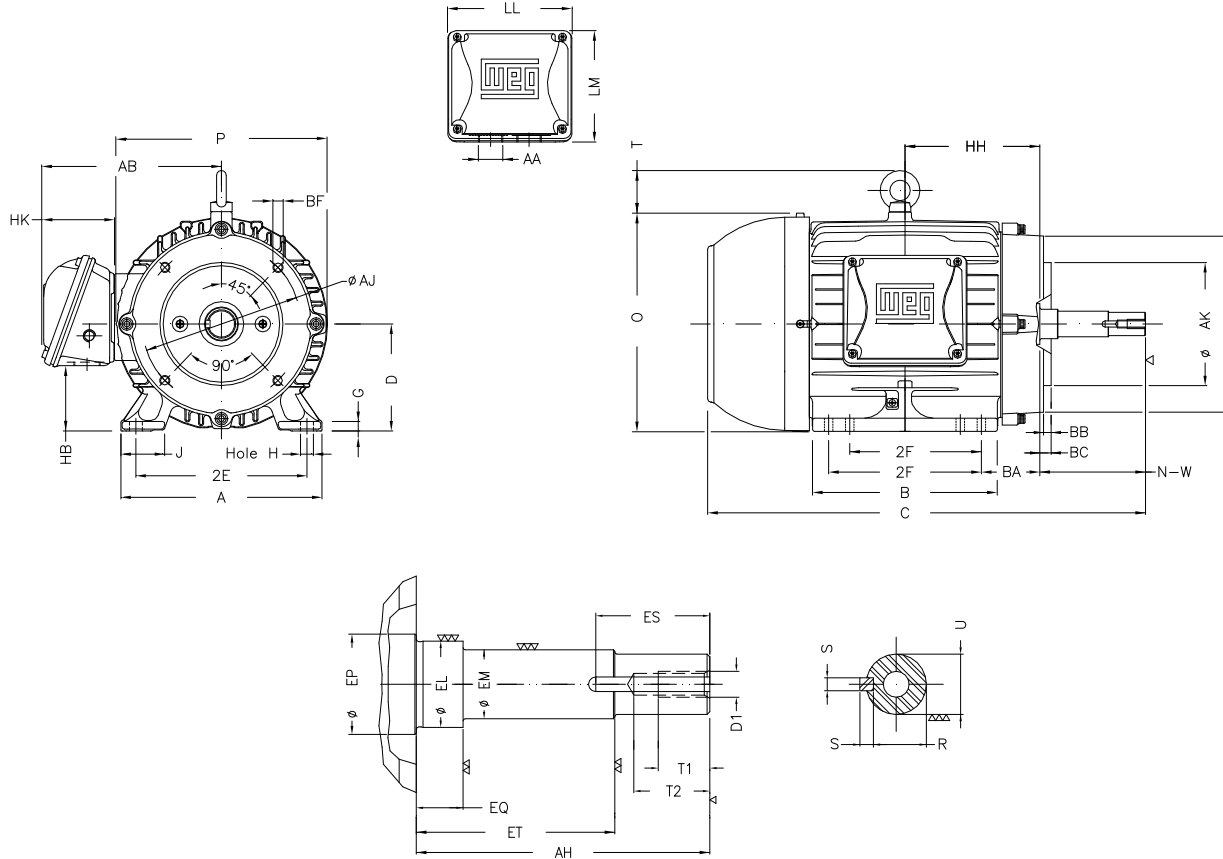
B

C

D

E

F



Notes: Downloaded from <http://dealerselectric.com>  
Generated for Model #01036ET3H215JM-W22

Performed by:

Checked:

Customer:

Close Coupled Pump: Three-Phase - W22 "JM" Type - TEFC - NEMA Premium

Three-phase induction motor  
Frame 213/5JM - IP55

13-SEP-2016



|                    |             |                   |                  |              |
|--------------------|-------------|-------------------|------------------|--------------|
| 2E<br>8.500        | J<br>1.772  | A<br>9.764        | P<br>10.669      | AB<br>8.583  |
| 2F<br>5.500/7.000  | K<br>2.165  | B<br>8.858        | BA<br>3.500      | D<br>5.250   |
| G<br>0.669         | O<br>10.841 | T<br>1.772        | H<br>0.406       | AA<br>NPT 1" |
| EQ<br>0.630        | ET<br>2.880 | U<br>0.874        | EM<br>1.000      | EL<br>1.250  |
| EP<br>1.770        | ES<br>1.575 | t1<br>0.748       | t2<br>1.102      | C<br>20.392  |
| d1<br>EUNC 3/8"-16 | HH<br>7.000 | HK<br>3.150       | HB<br>2.985      | LL<br>5.512  |
| LM<br>5.236        | S<br>0.187  | R<br>0.768        | Flange<br>FC-184 | AJ<br>7.252  |
| AK<br>8.500        | BD<br>8.858 | BF<br>UNC 1/2"x13 | BB<br>0.248      | AH<br>4.258  |