

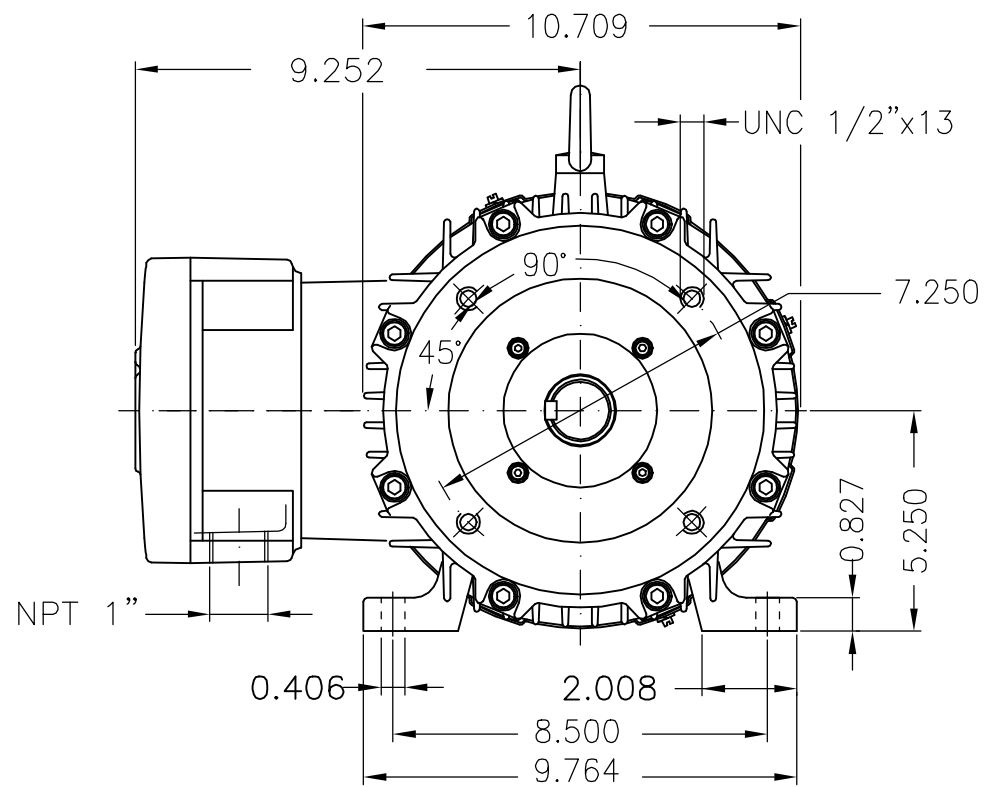
EIXO/SHAFT	
PADRÃO/STANDARD	X
OPCIONAL/OPTIONAL	
ESPECIAL/SPECIAL	

Dimensões em polegada
Dimensions in inches

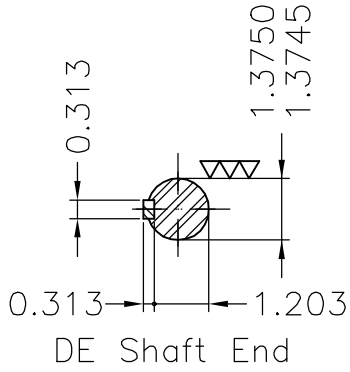
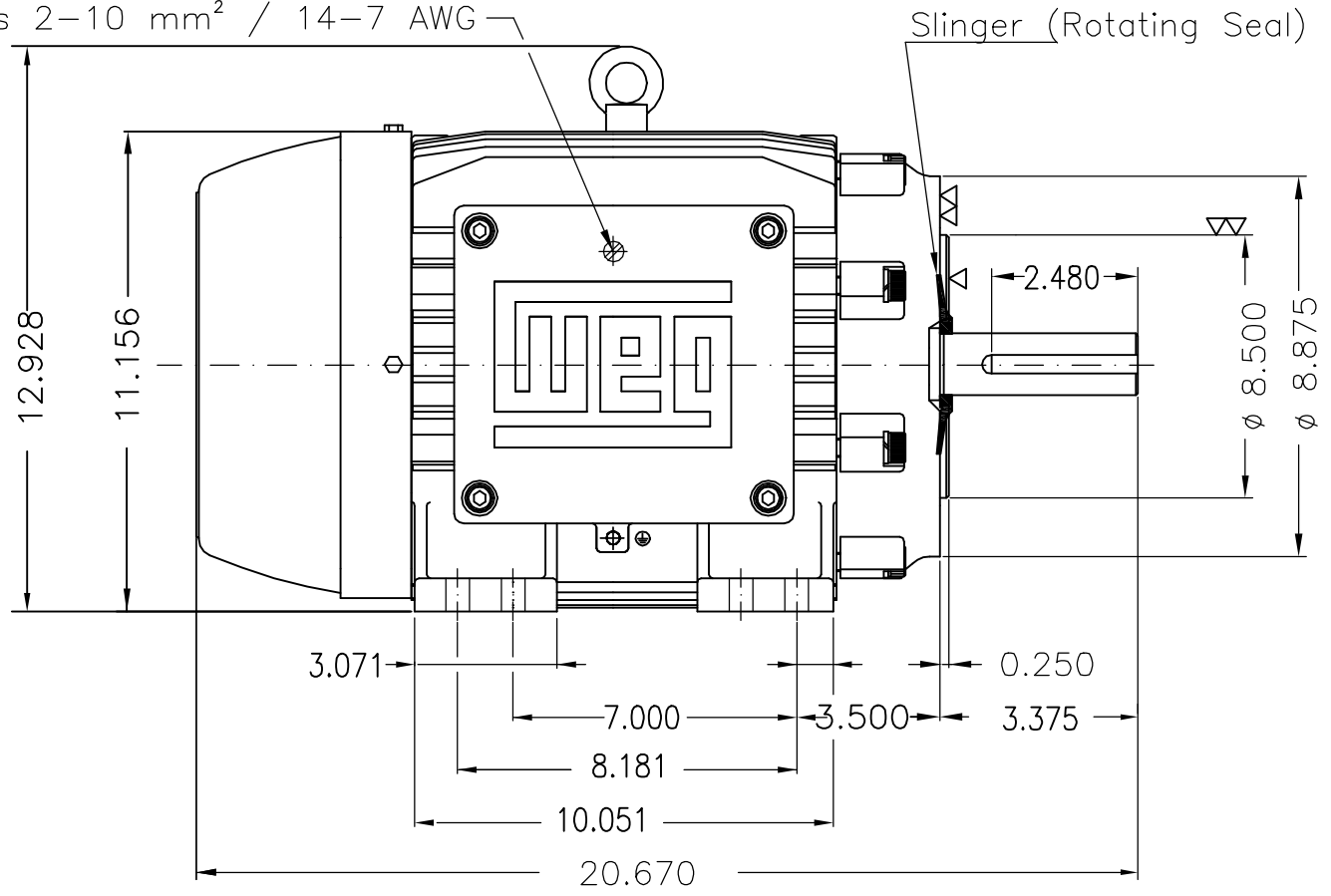
**CERTIFIED
WEG MOTORES**
Certified document.
Not subject to changes.

THIS IS AN UPDATED REVISION, THE
PREVIOUS ONE MUST BE DISREGARDED.

A
B
C
D
E



Grounding for leads 2-10 mm² / 14-7 AWG



Caixa de ligação W21 / W21 terminal box						
Cor RAL 5009 / Color RAL 5009						
Plano de pintura 202P / Painting plan 202P						
Forma construtiva NEMA F-1 / Mounting NEMA F-1						
Forma construtiva B34D / Mounting B34R(D)						
WEG ELECTRIC CORPORATION - WEC						
500001594952		ALTERADO CONF. CLAIM 415204042	RICLAV		20.05.2019	03
500001427824		REMOVED HIDDEN NOTE CODE 485	ERIC	MENSOR	MENSOR	13.03.2018 02
ECM ECM	LOC LOC	RESUMO MODIFICAÇÃO SUMMARY OF MODIFICATIONS	EXECUTADO EXECUTED	VERIFICADO CHECKED	LIBERADO RELEASED	DATA DATE VER VER
EXEC. /EXECUTED	NSCHMIDT	THREE-PHASE EXPLOSION PROOF MOTOR FRAME L215TC IP55 TEFC	10005474706		000 03	
VERIF. /CHECKED						
LIBER. /RELEASED	DANIELAW					
DATA LB /REL DT	18.01.2018	WMO	Jaraguá do Sul	Product Engineering	FOLHA/SHEET	1 / 1

10 HP 04 Poles 60Hz 414924098/1



UNCONTROLLED COPY RELEASED ZME A3