

1 2 3 4 5 6 7 8

A

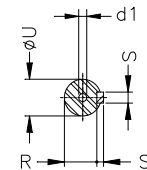
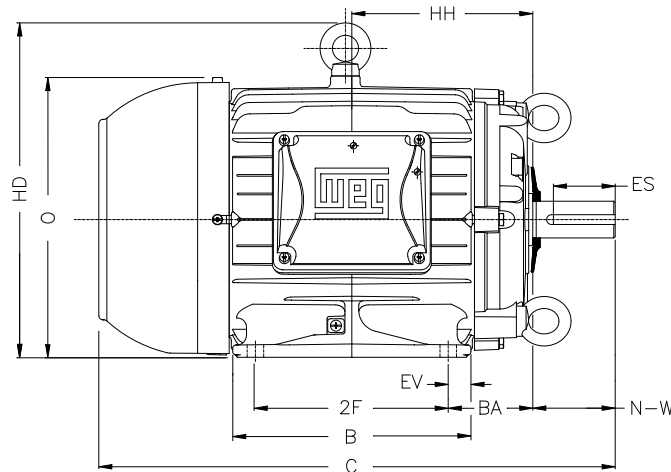
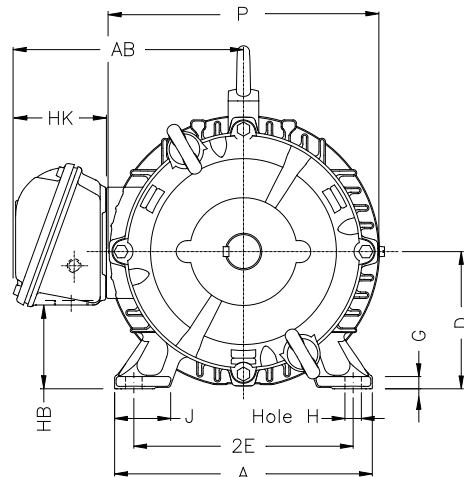
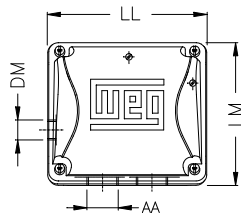
B

C

D

E

F



Notes: Downloaded from <http://dealerselectric.com>
Generated for Model #01018ET3HCT215TF1-W2

Performed by:

Checked:

Customer:

W22 Cooling Tower Motors: NEMA Premium - TEFC

Three-phase induction motor
Frame 215T - IP55

13-SEP-2016



| | | | | |
|--------------|-------------|--------------|-------------|----------------|
| 2E 8.500 | J 1.791 | A 9.764 | P 10.236 | AB 8.667 |
| 2F 7.000 | K 2.165 | B 8.858 | BA 3.500 | U 1.375 |
| N-W 3.375 | ES 2.480 | S 0.313 | R 1.203 | depth 0.313 |
| D 5.250 | G 0.669 | HB 3.006 | O 10.841 | T 1.772 |
| HF 5.250 | HH 7.000 | HK 3.155 | H 0.406 | C 19.517 |
| LL 5.512 | LM 5.236 | AA NPT 1" | d1 A 4 | d2 A 4 |