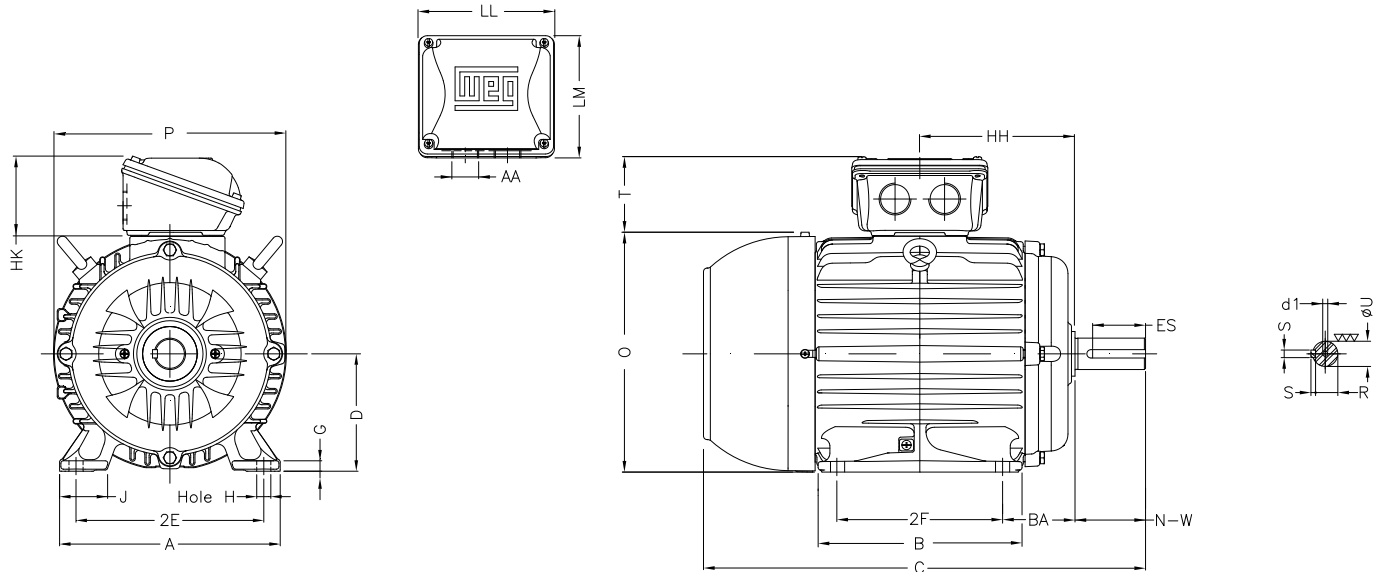


1 2 3 4 5 6 7 8

A
B
C
D
E
F



Notes: Downloaded from <http://dealerselectric.com>
Generated for Model #01018ET3E215TF3-W22

2E 8.500	J 1.772	A 9.764	P 10.669	AB 8.583
2F 7.000	K 2.165	B 8.858	BA 3.500	FBA 5.921
U 1.375	N-W 3.375	ES 2.480	S 0.313	R 1.203
depth 0.313	D 5.250	G 0.669	HB 2.985	O 10.841
T 1.772	HF 5.250	HH 7.000	HK 3.150	EV 0.929
H 0.410	C 19.517	FC 22.546	LL 5.512	LM 5.236
AA NPT 1"	d1 A 4			

Performed by:
Checked:
Customer:
W22 NEMA Premium - Ball Bearings
Three-phase induction motor
Frame 215T - IP55
13-SEP-2016

