

1 2 3 4 5 6 7 8

A

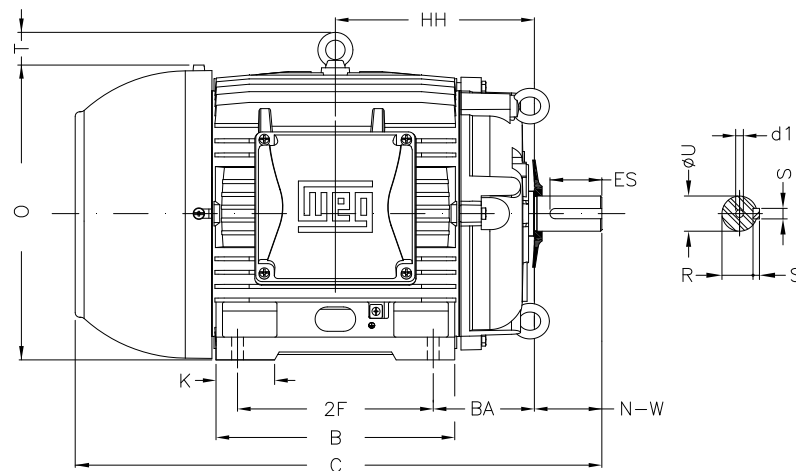
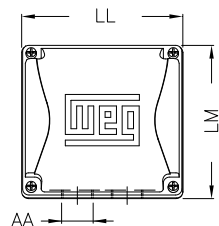
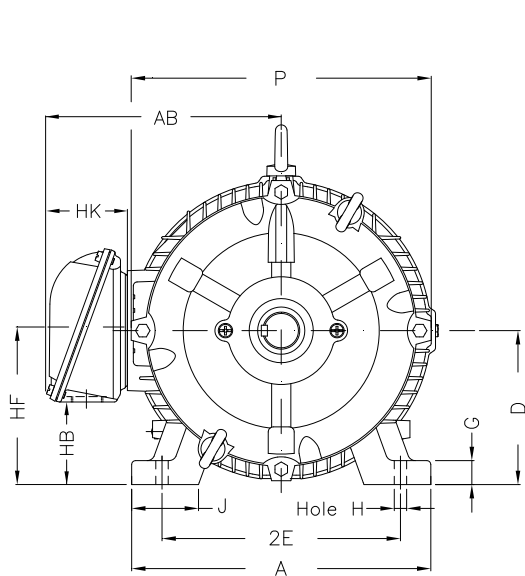
B

C

D

E

F



Notes: Downloaded from <http://dealerselectric.com>
Generated for Model #01012ET3ECT256TF1-W2

Performed by:

Checked:

Customer:

W22 Cooling Tower Motors: NEMA Premium - TEFC

Three-phase induction motor
Frame 256T - IP55

13-SEP-2016



| | | | | |
|--------------|-------------|------------------|-------------|----------------|
| 2E 10.000 | J 2.539 | A 12.126 | P 12.480 | AB 10.483 |
| 2F 10.000 | K 2.559 | B 11.732 | BA 4.250 | U 1.625 |
| N-W 4.000 | ES 2.756 | S 0.375 | R 1.416 | depth 0.375 |
| D 6.250 | G 0.827 | HB 3.061 | O 12.598 | T 2.087 |
| HF 6.565 | HH 9.250 | HK 3.976 | H 0.531 | C 24.945 |
| LL 7.815 | LM 7.480 | AA NPT 1 1/2" | d1 A 4 | d2 A 4 |