

1 2 3 4 5 6 7 8

A

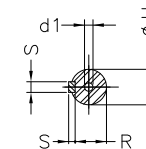
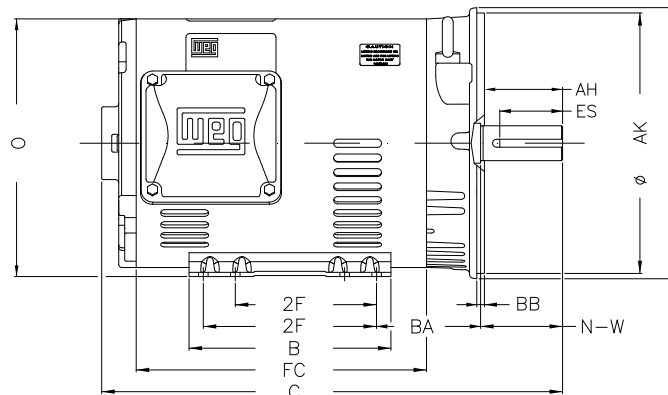
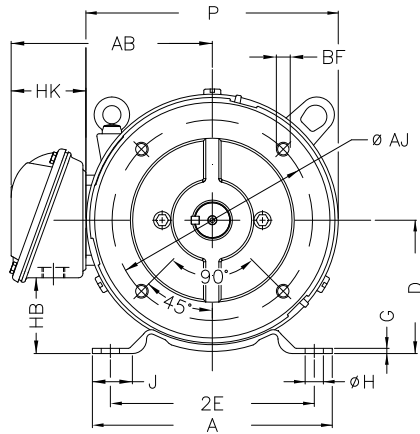
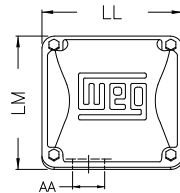
B

C

D

E

F



Notes: Downloaded from <http://dealerselectric.com>
Generated for Model #00736OP3VFP184TC-S

| | | | | |
|--------|-------------|--------|--------|-------|
| P | AB | J | 2E | A |
| 8.114 | 6.696 | 1.299 | 7.500 | 8.661 |
| H | G | HB | HK | O |
| 0.406 | 0.167 | 2.784 | 2.629 | 8.557 |
| FC | 2F | B | C | BA |
| 8.661 | 4.500/5.500 | 6.299 | 14.764 | 3.500 |
| N-W | ES | d1 | S | U |
| 2.750 | 1.969 | A 3.15 | 0.250 | 1.125 |
| AA | depth | R | LL | LM |
| 1.118" | 0.250 | 0.984 | 4.563 | 4.090 |
| D | CH | Flange | AJ | AK |
| 4.500 | 1.377 | FC-184 | 7.250 | 8.500 |
| BD | BF | BB | AH | |
| 8.846 | UNC 1/2"x13 | 0.250 | 2.620 | |

Performed by:

Checked:

Customer:

Fire Pump: Three Phase - W01 (Rolled Steel) - ODP - High Efficiency

Three-phase induction motor
Frame 182/4T - ODP

13-SEP-2016

