

1 2 3 4 5 6 7 8

A

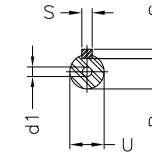
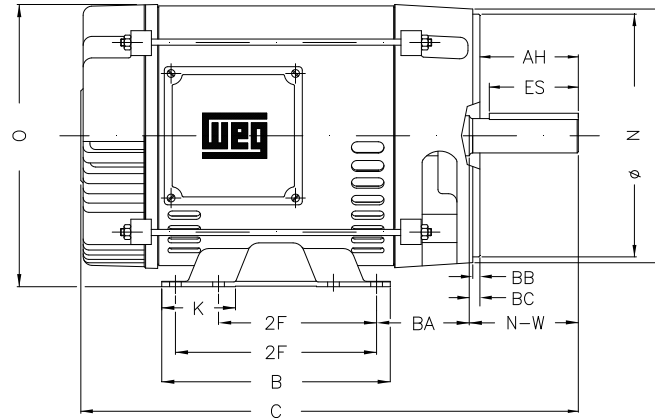
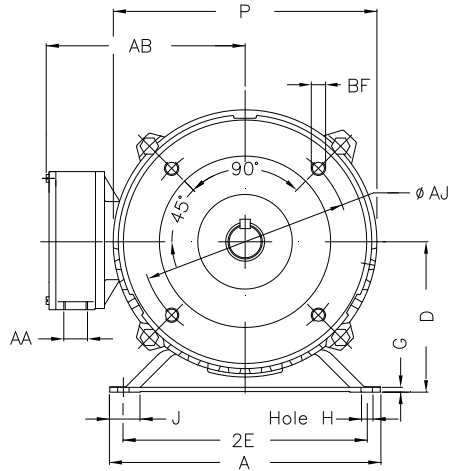
B

C

D

E

F



Notes: Downloaded from <http://dealerselectric.com>
Generated for Model #00736OP3HFP184TC

Performed by:

Checked:

Customer:

Fire Pump Motors - ODP Three Phase - Foot Mount and Flange Mount

Three-phase induction motor
Frame 184T - IP21

13-SEP-2016



2E 7.500	A 8.661	2F 4.500/5.500	B 6.299	BA 2.750
J 1.171	K 1.988	P 7.637	ES 1.969	depth 0.250
S 0.250	D 4.500	N-W 2.750	G 0.187	U 1.125
O 8.307	R 0.984	H 0.406	AB 6.575	C 14.291
AA NPT 3/4"	d1 A 4	Flange FC-184	AJ 7.250	AK 8.500
BD 8.875	BF UNC 1/2"x13	BB 0.250	BC 0.125	