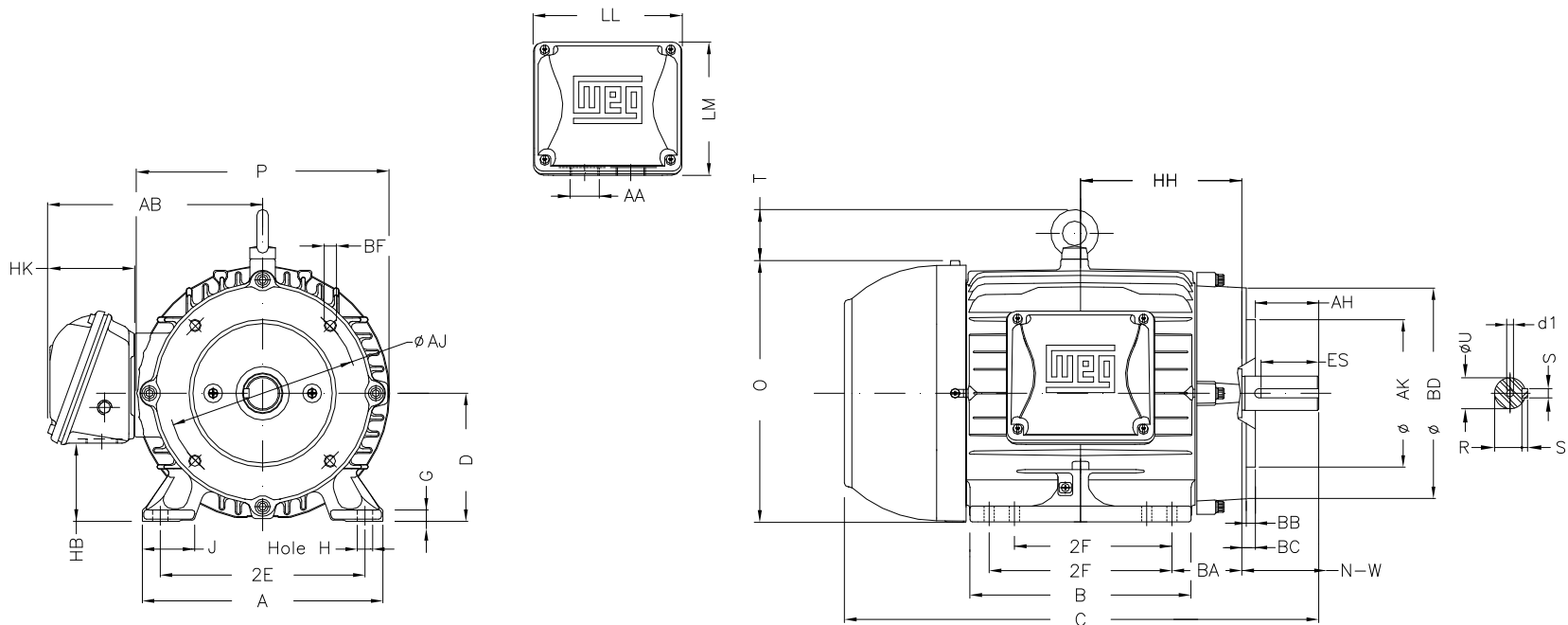


1 2 3 4 5 6 7 8

A  
B  
C  
D



Notes: Downloaded from <http://dealerselectric.com>  
Generated for Model #00736ET3E213TC-W22

E	2E 8.500	J 1.772	A 9.764	P 10.669	AB 8.583
	2F 5.500/7.000	K 2.165	B 8.858	BA 3.500	FBA 5.921
	U 1.375	N-W 3.375	ES 2.480	S 0.313	R 1.203
	depth 0.313	D 5.250	G 0.669	HB 2.985	O 10.841
	T 1.772	HF 5.250	HH 7.000	HK 3.150	EV 0.929
F	H 0.410	C 19.517	FC 22.546	LL 5.512	LM 5.236
	AA NPT 1"	d1 A 4	Flange FC-184	AJ 7.250	AK 8.500
	BD 8.875	BF UNC 1/2"x13	BB 0.250	BC 0.250	AH 3.125

Performed by:

Checked:

Customer:

W22 NEMA Premium - Ball Bearings

Three-phase induction motor  
Frame 213/5T - IP55

13-SEP-2016

