

1 2 3 4 5 6 7 8

A

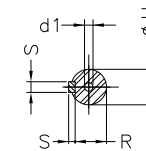
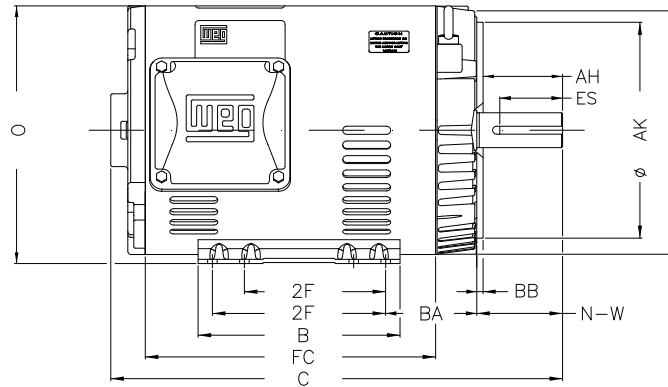
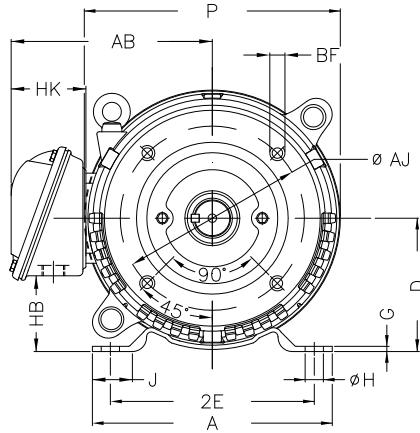
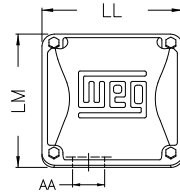
B

C

D

E

F



Notes: Downloaded from <http://dealerselectric.com>
Generated for Model #007180T3E213TC-S

| | | | | |
|--------|--------|-------------|--------|--------|
| P | AB | J | 2E | A |
| 9.846 | 7.973 | 1.575 | 8.500 | 9.449 |
| H | G | HB | HK | T |
| 0.406 | 0.167 | 2.982 | 3.022 | 0.029 |
| O | FC | 2F | B | C |
| 10.144 | 10.236 | 5.500/7.000 | 7.953 | 16.575 |
| BA | N-W | ES | d1 | S |
| 4.250 | 3.380 | 2.480 | A 4 | 0.313 |
| U | AA | depth | R | LL |
| 1.375 | 1.377" | 0.313 | 1.203 | 5.551 |
| LM | D | CH | Flange | AJ |
| 5.250 | 5.250 | 1.929 | FC-184 | 7.250 |
| AK | BD | BF | BB | AH |
| 8.500 | 9.401 | UNC 1/2"x13 | 0.250 | 3.129 |

Performed by:

Checked:

Customer:

Three Phase: W01 (Rolled Steel) - ODP - NEMA Premium Efficiency

Three-phase induction motor
Frame 213/5T - ODP

13-SEP-2016

