

1 2 3 4 5 6 7 8

A

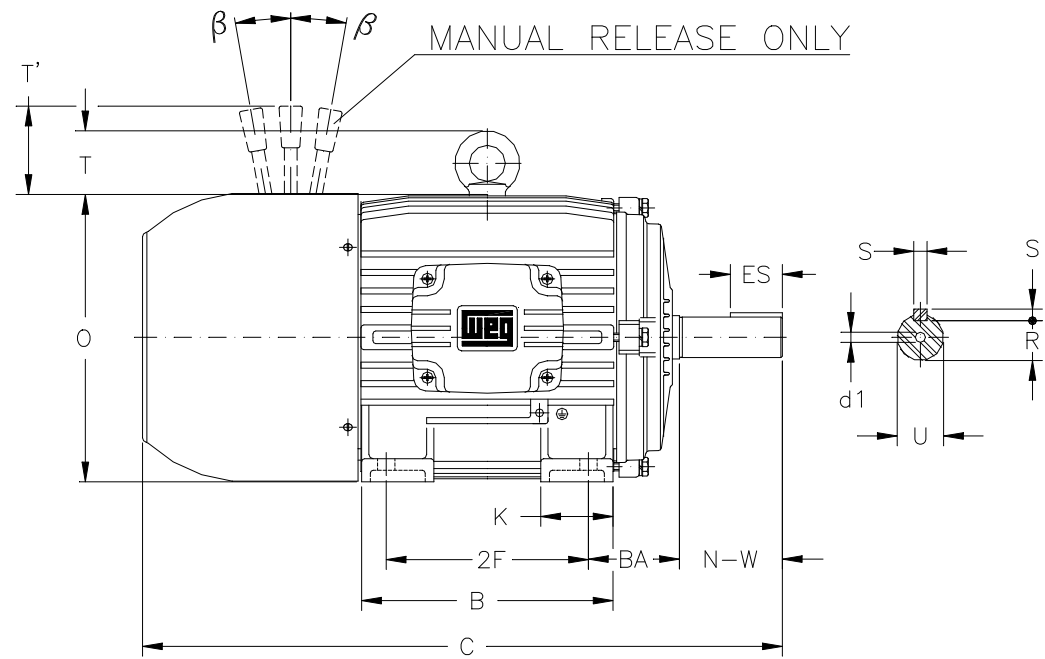
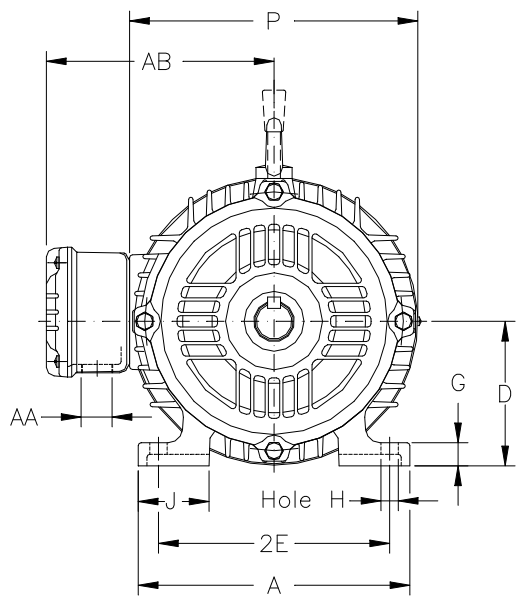
B

C

D

E

F



Notes: Downloaded from <http://dealerselectric.com>
Generated for Model #00712EP3EBM254T

Performed by:

Checked:

Customer:

Brake Motors : Three-Phase - High Efficiency

2E 10.000	A 12.126	2F 8.252	B 10.000	BA 4.250
J 2.520	K 2.559	P 12.283	ES 2.756	depth 0.375
S 0.375	N-W 4.000	U 1.625	R 1.416	D 6.250
G 0.817	O 12.431	T 2.087	H 0.531	C 28.095
AA NPT 1 1/2"	d1 A 4	d2 A 4		

Three-phase induction motor
Frame 254T - IP55

13-SEP-2016

