

1 2 3 4 5 6 7 8

A

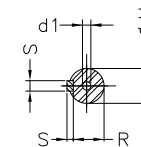
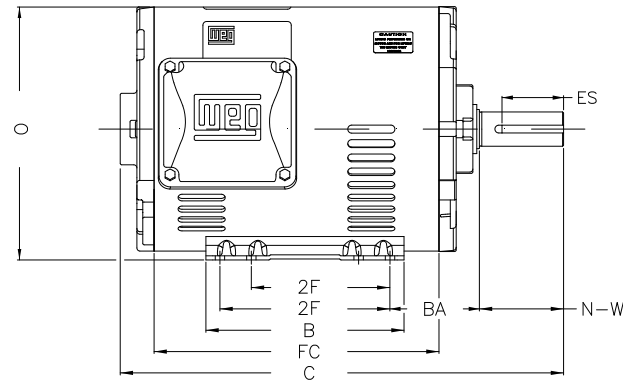
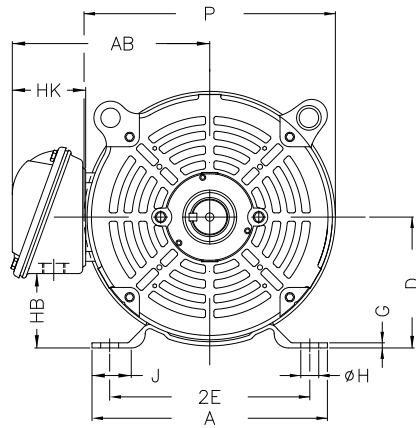
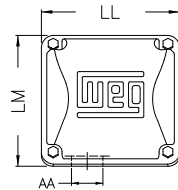
B

C

D

E

F



Notes: Downloaded from <http://dealerselectric.com>  
Generated for Model #00536OT3H182T-S

Performed by:

Checked:

Customer:

Three Phase: W01 (Rolled Steel) - ODP - NEMA Premium Efficiency

Three-phase induction motor  
Frame 182/4T - ODP

13-SEP-2016



|        |             |        |        |       |
|--------|-------------|--------|--------|-------|
| P      | AB          | J      | 2E     | A     |
| 8.114  | 6.696       | 1.299  | 7.500  | 8.661 |
| H      | G           | HB     | HK     | O     |
| 0.406  | 0.167       | 2.784  | 2.629  | 8.557 |
| FC     | 2F          | B      | C      | BA    |
| 8.661  | 4.500/5.500 | 6.299  | 14.764 | 2.750 |
| N-W    | ES          | d1     | S      | U     |
| 2.750  | 1.969       | A 3,15 | 0.250  | 1.125 |
| AA     | depth       | R      | LL     | LM    |
| 1.118" | 0.250       | 0.984  | 4.563  | 4.090 |
| BB     | D           | CH     |        |       |
| 0.000  | 4.500       | 1.377  |        |       |