

1 2 3 4 5 6 7 8

A

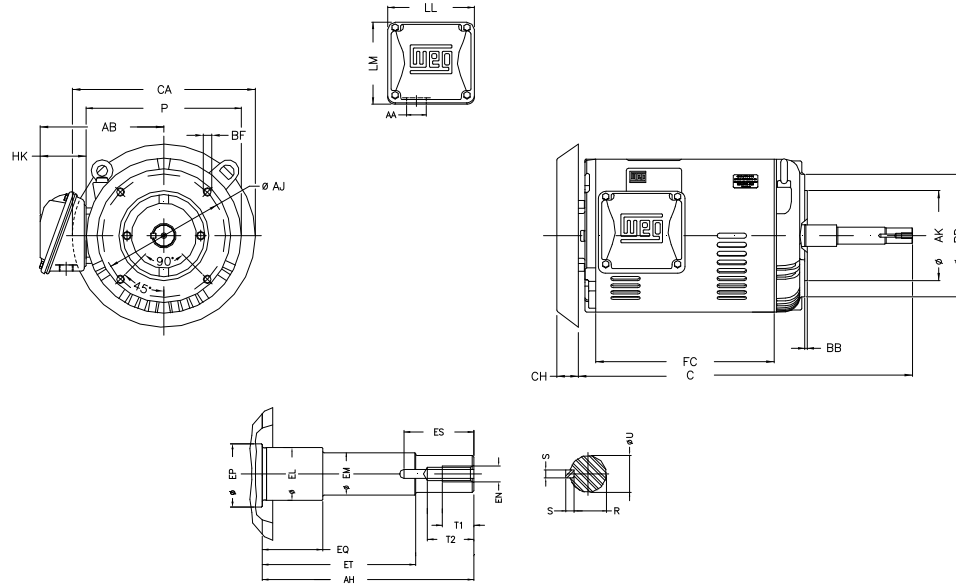
B

C

D

E

F



Notes: Downloaded from <http://dealerselectric.com>
Generated for Model #00536OP3E182JMV-S

Performed by:

Checked:

Customer:

Close Coupled Pump: Three-Phase - W01 (Rolled Steel) "JM" Type - ODP - High

Three-phase induction motor
Frame 182/4JM - ODP

13-SEP-2016



| | | | | |
|------------------|-------------|--------------|-------------|-------------------|
| P 8.114 | AB 6.696 | AA 1.118" | ER 4.258 | EQ 0.630 |
| ET 2.880 | U 0.8745 | EM 1.000 | EL 1.250 | EP 1.376 |
| ES 1.653 | t1 0.748 | t2 1.102 | C 15.472 | FC 7.874 |
| Flange FC-149 | AJ 5.874 | AK 4.500 | BD 6.496 | BF UNC 3/8"x16 |
| BB 0.138 | AH 4.258 | | | |