

1 2 3 4 5 6 7 8

A

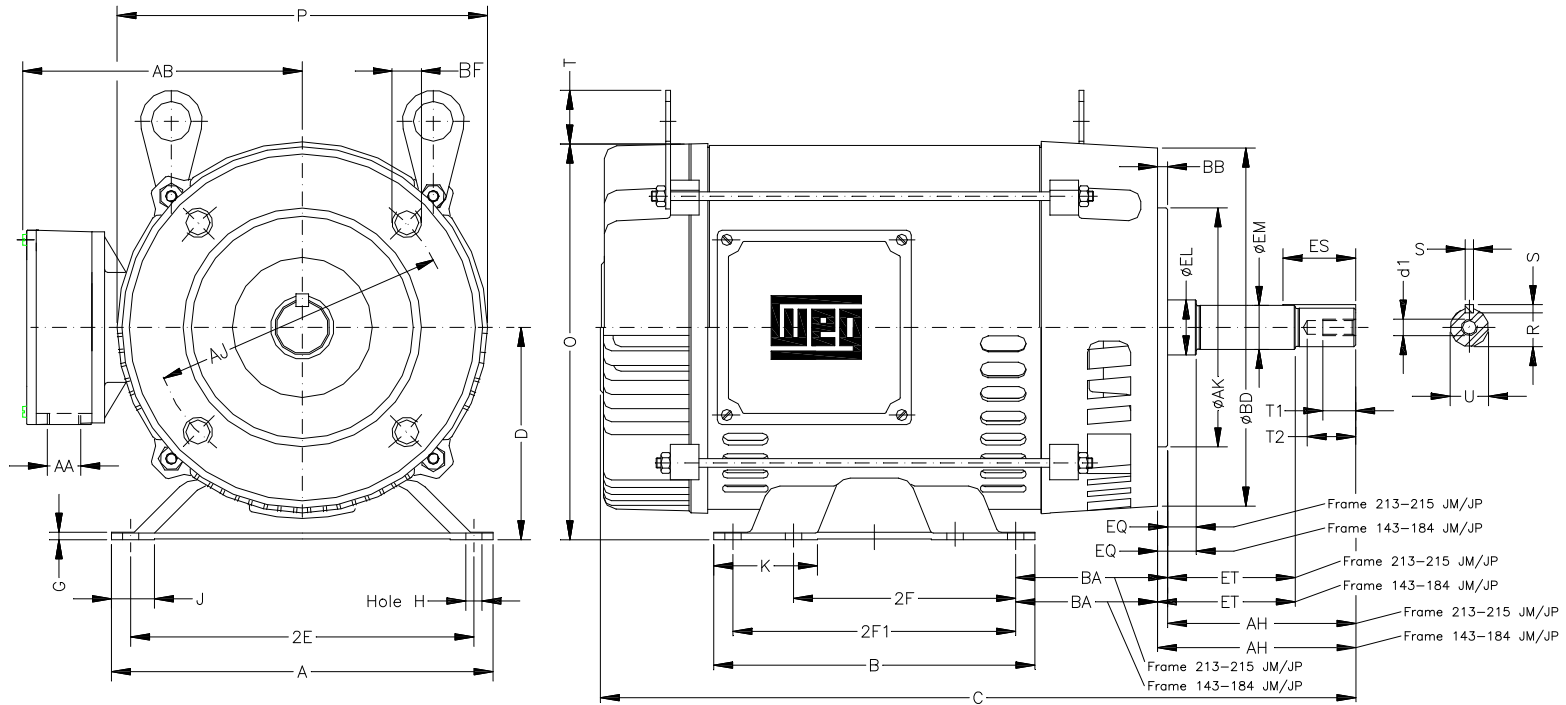
B

C

D

E

F



Notes: Downloaded from <http://dealerselectric.com>
Generated for Model #005180T3H184JM

2E	A	2F	B	J
7.500	8.661	4.500/5.500	6.299	1.171
BA	D	K	G	O
2.750	4.500	1.988	0.187	8.307
P	T	AB	H	AA
7.637	1.614	6.574	0.406	NPT 3/4"
EQ	ET	U	EM	EL
0.630	2.880	0.874	1.000	1.250
S	EP	R	d1	ES
0.187	1.376	0.767	EUNC 3/8"-16	1.575
t1	t2	C	CH	Flange
0.748	1.102	15.315	1.220	FC-149
AJ	AK	BD	BF	BB
5.874	4.500	6.496	UNC 3/8"x16	0.157
AH				
4.258				

Performed by:

Checked:

Customer:

Close Coupled Pump : Three-Phase - "JM" Type - ODP - NEMA Premium

Three-phase induction motor
Frame 184JM - IP21

13-SEP-2016

