

1 2 3 4 5 6 7 8

A

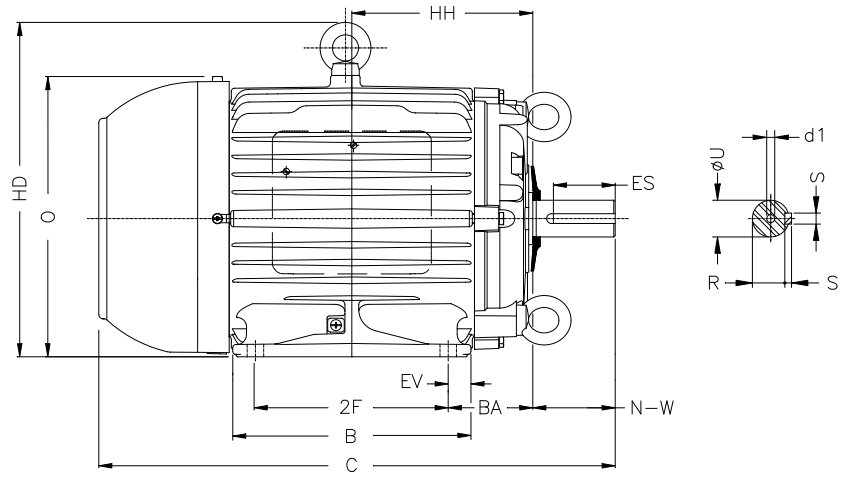
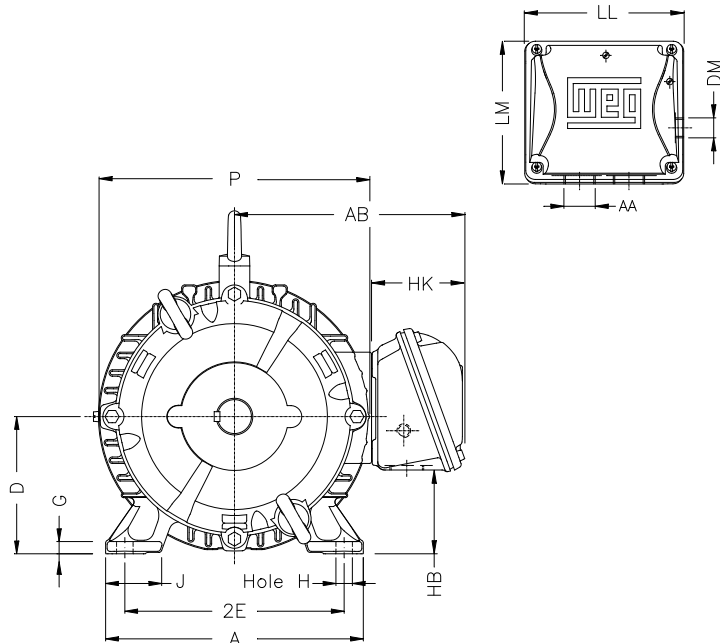
B

C

D

E

F



Notes: Downloaded from <http://dealerselectric.com>  
Generated for Model #00518ET3HCT184T-W22

Performed by:

Checked:

Customer:

W22 Cooling Tower Motors: NEMA Premium - TEFC

Three-phase induction motor  
Frame 184T - IP55

13-SEP-2016



|             |              |             |                |              |
|-------------|--------------|-------------|----------------|--------------|
| 2E<br>7.500 | J<br>1.594   | A<br>8.661  | P<br>8.504     | AB<br>7.559  |
| 2F<br>5.500 | B<br>6.969   | BA<br>2.750 | U<br>1.125     | N-W<br>2.750 |
| ES<br>1.969 | S<br>0.250   | R<br>0.984  | depth<br>0.250 | D<br>4.500   |
| G<br>0.394  | HB<br>2.236  | O<br>9.343  | T<br>1.772     | HF<br>4.500  |
| HH<br>5.500 | HK<br>3.155  | H<br>0.406  | C<br>15.860    | LL<br>5.512  |
| LM<br>5.236 | AA<br>NPT 1" | d1<br>A 4   | d2<br>A 4      |              |