

1 2 3 4 5 6 7 8

A

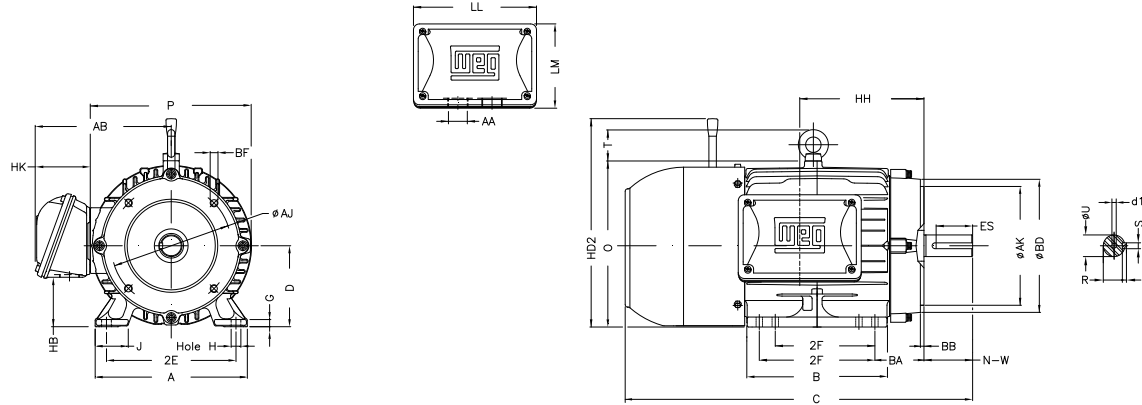
B

C

D

E

F



Notes: Downloaded from <http://dealerselectric.com>
Generated for Model #00518ET3EBMQ184TC-W2

Performed by:

Checked:

Customer:

W22 Brake Motor - NEMA Premium Efficiency

Three-phase induction motor
Frame 182/4T - IP55

13-SEP-2016



| | | | | |
|-------------------|-------------|---------------|-------------------|------------------|
| 2E 7.500 | J 1.614 | A 8.661 | P 8.740 | AB 7.513 |
| 2F 4.500/5.500 | B 6.969 | BA 2.750 | U 1.125 | N-W 2.750 |
| ES 1.969 | S 0.250 | R 0.984 | D 4.500 | G 0.394 |
| HB 2.216 | O 9.343 | HF 4.500 | HH 5.500 | HK 3.117 |
| H 0.406 | C 19.314 | LL 6.575 | LM 5.246 | AA NPT 1" |
| HD' 7.728 | d1 A 4 | HD2 12.138 | T 1.772 | Flange FC-184 |
| AJ 7.250 | AK 8.500 | BD 8.875 | BF UNC 1/2"x13 | BB 0.250 |
| BC 0.125 | AH 2.625 | | | |