

1 2 3 4 5 6 7 8

A

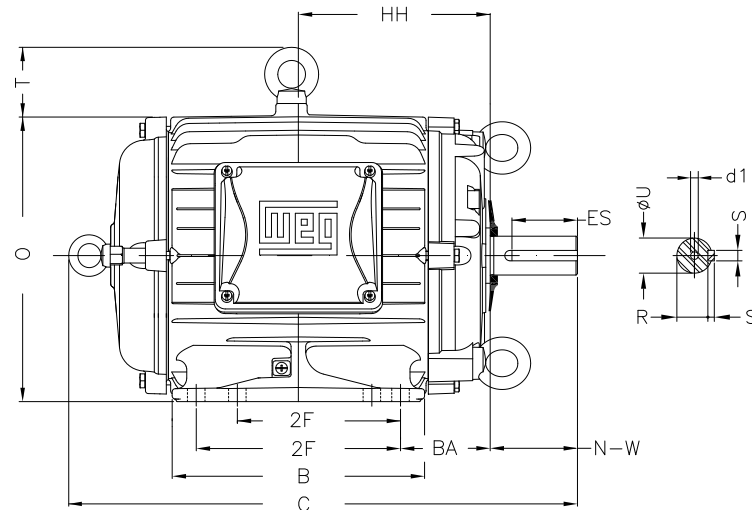
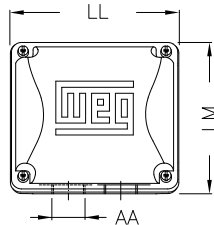
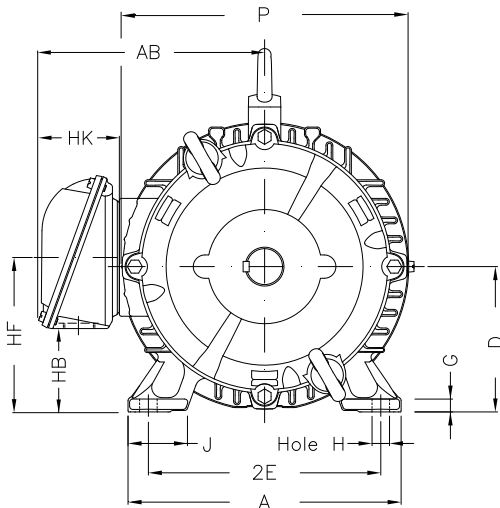
B

C

D

E

F



Notes: Downloaded from <http://dealerselectric.com>  
Generated for Model #00518AT3HCT184TF1-W2

Performed by:

Checked:

Customer:

W22 Cooling Tower Motors: NEMA Premium - TEAO

Three-phase induction motor  
Frame 182/4T - IP55

13-SEP-2016



|                   |              |             |                |              |
|-------------------|--------------|-------------|----------------|--------------|
| 2E<br>7.500       | J<br>1.614   | A<br>8.661  | P<br>8.504     | AB<br>7.565  |
| 2F<br>4.500/5.500 | B<br>6.969   | BA<br>2.750 | U<br>1.125     | N-W<br>2.750 |
| ES<br>1.969       | S<br>0.250   | R<br>0.984  | depth<br>0.250 | D<br>4.500   |
| G<br>0.394        | HB<br>2.236  | O<br>9.343  | T<br>1.772     | HF<br>4.500  |
| HH<br>5.500       | HK<br>3.150  | H<br>0.406  | C<br>15.298    | LL<br>5.512  |
| LM<br>5.236       | AA<br>NPT 1" | d1<br>A 4   |                |              |