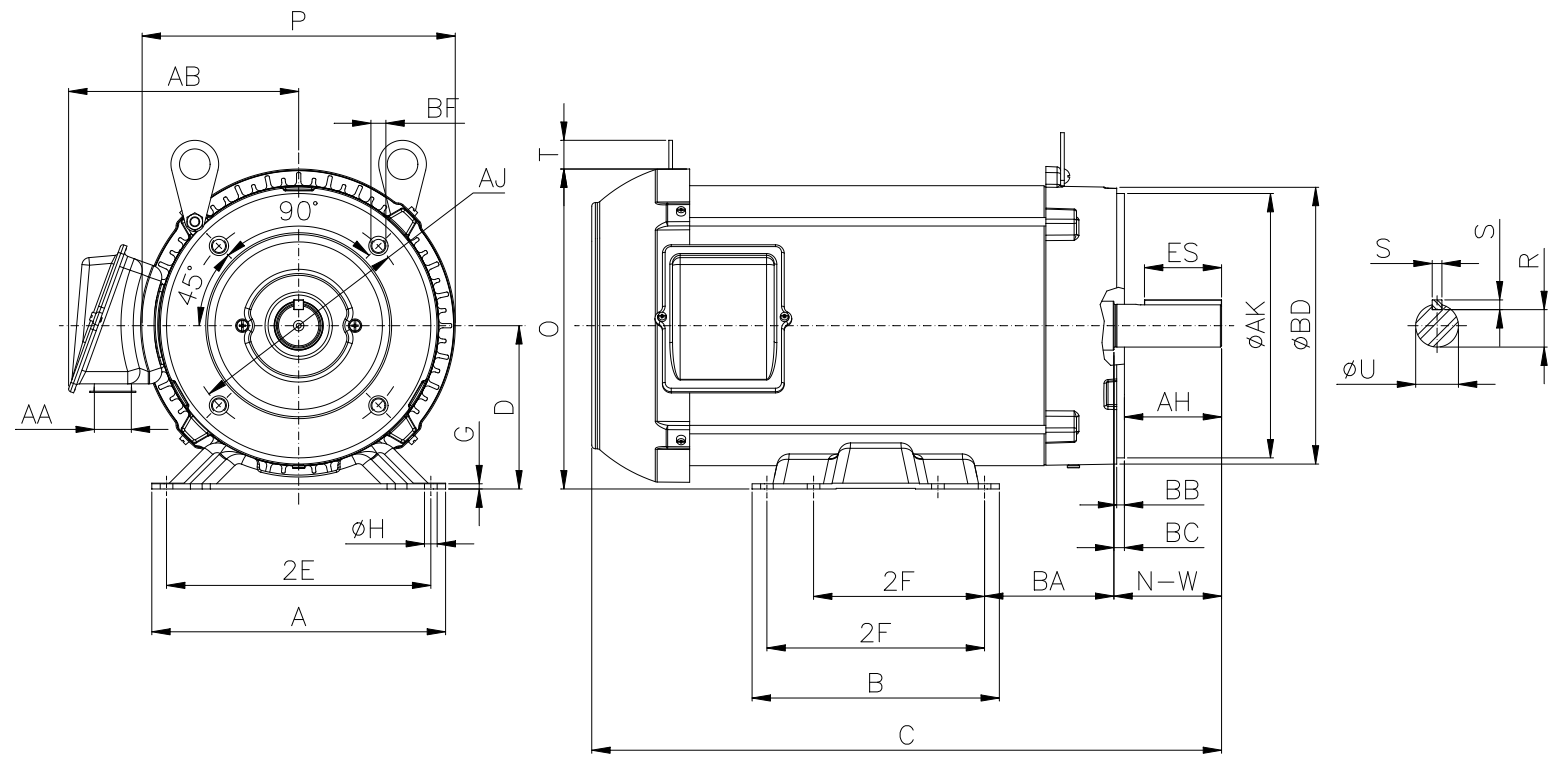


1 2 3 4 5 6 7 8

A  
B  
C  
D  
E  
F



Notes: Downloaded from <http://dealerselectric.com>  
Generated for Model #00512ET3ERS215TC

Performed by:

Checked:

Customer:

Three-Phase : Rolled Steel Motor - NEMA Premium Efficiency

2E	A	P	AB	2F
8.500	9.449	10.071	7.398	5.500/7.000
B	BA	U	N-W	ES
7.953	4.250	1.375	3.375	2.480
S	R	depth	D	G
0.313	1.203	0.313	5.250	0.167
O	T	H	C	d1
10.285	0.923	0.406	20.257	A 4
d2	Flange	AJ	AK	BD
A 4	FC-184	7.250	8.500	8.875
BF	BB	BC	AH	
UNC 1/2"x13	0.250	0.250	3.125	

Three-phase induction motor  
Frame 215T - IP55

13-SEP-2016

