

1 2 3 4 5 6 7 8

A

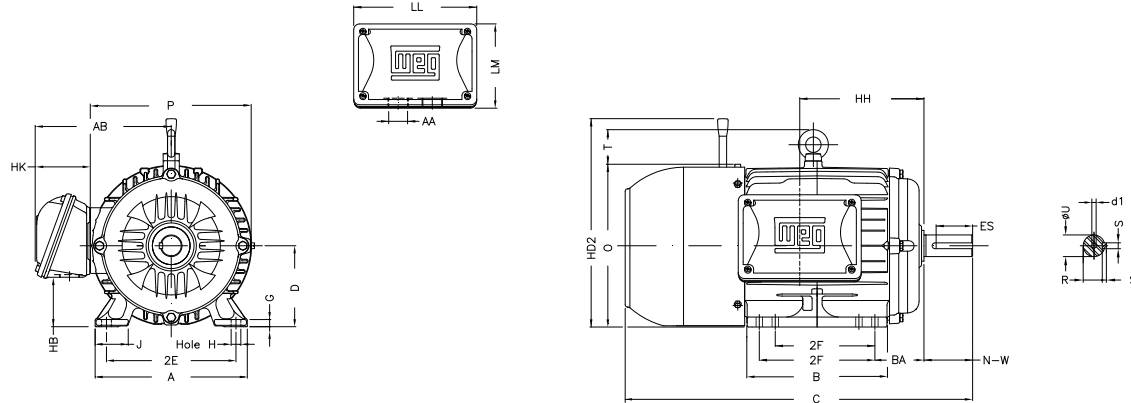
B

C

D

E

F



Notes: Downloaded from <http://dealerselectric.com>
Generated for Model #00512ET3EBM215T-W22

Performed by:

Checked:

Customer:

W22 Brake Motor - NEMA Premium Efficiency

Three-phase induction motor
Frame 213/5T - IP55

13-SEP-2016



| | | | | |
|-------------------|--------------|-------------|---------------|-------------|
| 2E 8.500 | J 1.772 | A 9.764 | P 10.669 | AB 8.609 |
| 2F 5.500/7.000 | K 2.165 | B 8.858 | BA 3.500 | U 1.375 |
| N-W 3.375 | ES 2.480 | S 0.313 | R 1.203 | D 5.250 |
| G 0.669 | HB 2.966 | O 10.841 | HF 5.250 | HH 7.000 |
| HK 3.117 | H 0.406 | C 23.188 | LL 6.575 | LM 5.246 |
| AA NPT 1" | HD' 9.463 | d1 A 4 | HD2 14.659 | T 1.772 |