

1 2 3 4 5 6 7 8

A

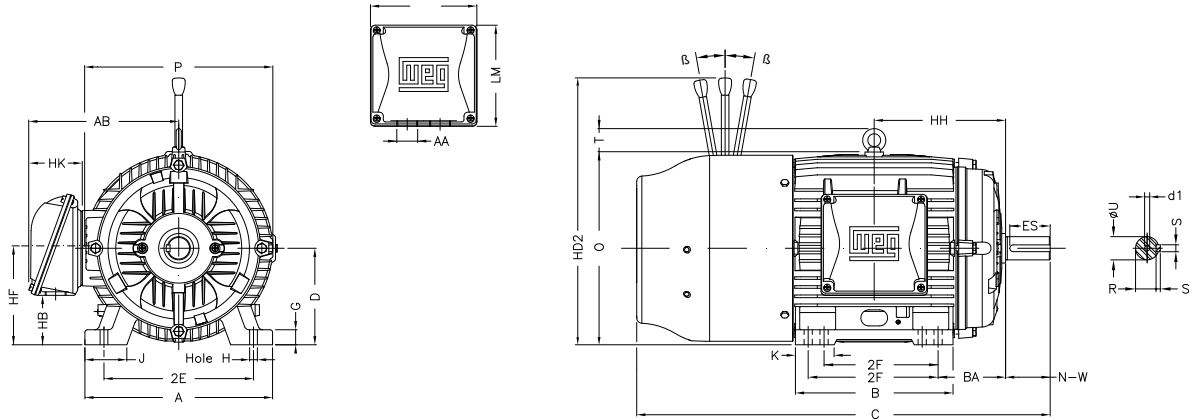
B

C

D

E

F



Notes: Downloaded from <http://dealerselectric.com>  
Generated for Model #00509ET3EBM254T-W22

Performed by:

Checked:

Customer:

W22 Brake Motor - NEMA Premium Efficiency

Three-phase induction motor  
Frame 254/6T - IP55

13-SEP-2016



|                    |               |             |               |              |
|--------------------|---------------|-------------|---------------|--------------|
| 2E<br>10.000       | J<br>2.539    | A<br>12.126 | P<br>12.953   | AB<br>10.483 |
| 2F<br>8.252/10.000 | K<br>2.559    | B<br>11.732 | BA<br>4.250   | U<br>1.625   |
| N-W<br>4.000       | ES<br>2.756   | S<br>0.375  | R<br>1.416    | D<br>6.250   |
| G<br>0.827         | HB<br>3.061   | O<br>12.598 | HF<br>6.565   | HH<br>9.250  |
| HK<br>3.976        | H<br>0.531    | C<br>29.839 | LL<br>7.815   | LM<br>7.480  |
| AA<br>NPT 1 1/2"   | HD'<br>10.896 | d1<br>A 4   | HD2<br>17.195 | T<br>2.087   |