

1 2 3 4 5 6 7 8

A

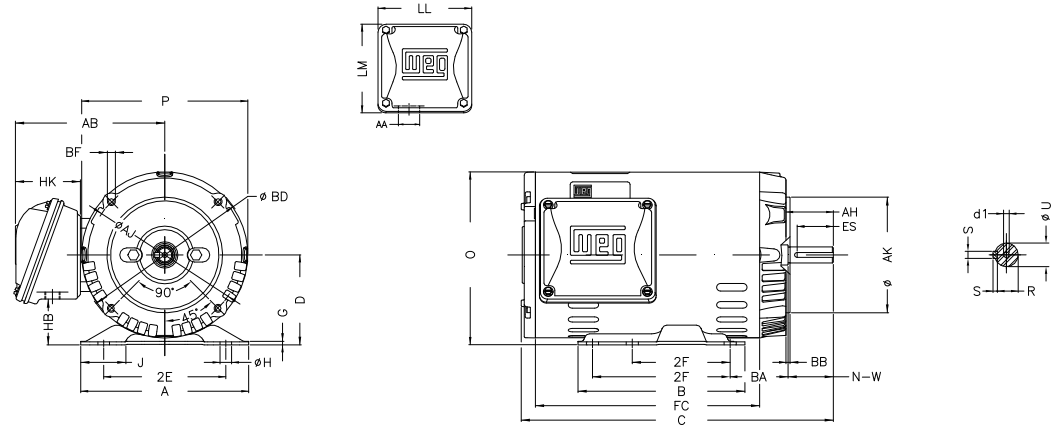
B

C

D

E

F



Notes: Downloaded from <http://dealerselectric.com>  
Generated for Model #003360T3E145TC-S

P 6.456	AB 5.882	J 1.732	2E 5.500	A 6.535
H 0.343	G 0.120	HB 1.783	HK 2.638	T 0.004
O 6.724	FC 8.661	2F 4.000/5.000	B 6.496	C 12.362
BA 2.750	N-W 2.250	ES 1.417	d1 A 3.15	S 0.187
U 0.875	AA 1.118"	depth 0.187	R 0.771	LL 4.543
LM 4.106	D 3.500	CH 1.377	Flange FC-149	AJ 5.874
AK 4.500	BD 6.450	BF UNC 3/8"x16	BB 0.157	AH 2.132

Performed by:

Checked:

Customer:

Three Phase: W01 (Rolled Steel) - ODP - NEMA Premium Efficiency

Three-phase induction motor  
Frame 143/5T - ODP

13-SEP-2016

