

1 2 3 4 5 6 7 8

A

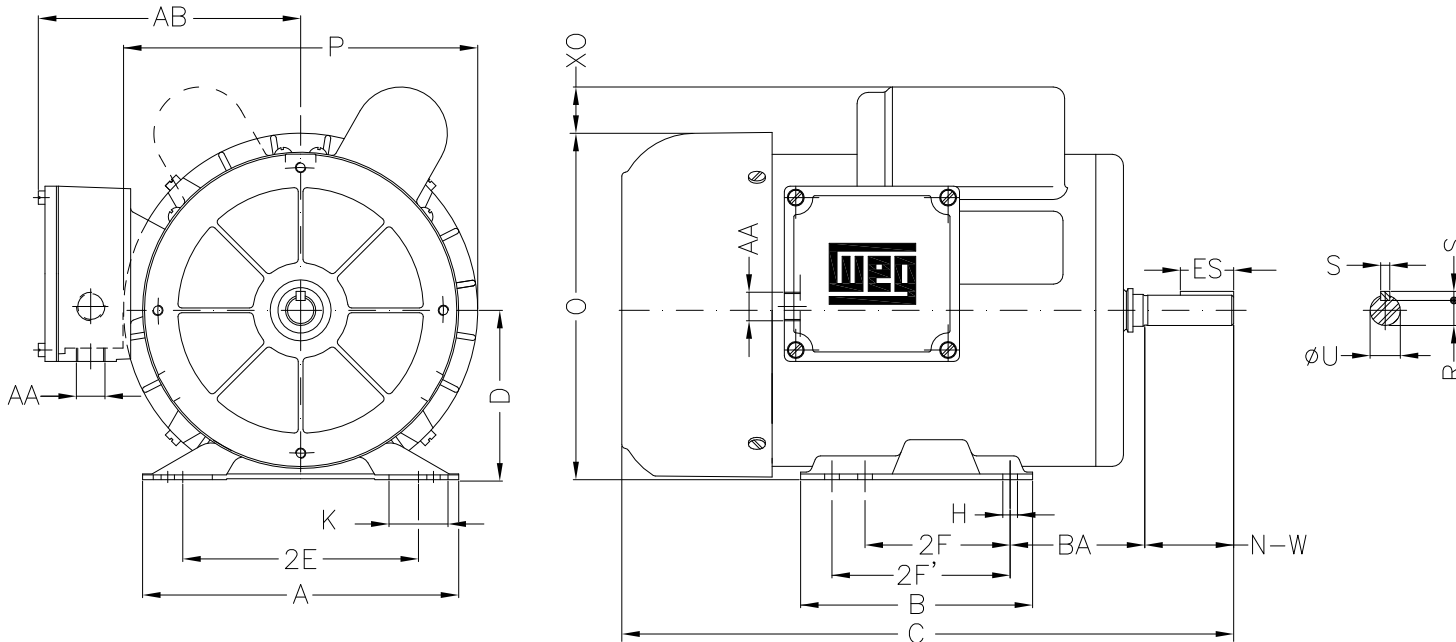
B

C

D

E

F



Notes: Downloaded from <http://dealerselectric.com>  
Generated for Model #00336ES1B145T

Performed by:

Checked:

Customer:

Single-Phase : NEMA 56 TEFC

Single-phase induction motor  
Frame G143/5T - IP55

12-SEP-2016



|             |             |                |                   |             |
|-------------|-------------|----------------|-------------------|-------------|
| 2E<br>5.500 | H<br>0.342  | A<br>6.535     | 2F<br>4.000/5.000 | B<br>6.496  |
| G<br>3.04   | BA<br>2.250 | J<br>1.220     | K<br>5.000        | P<br>7.323  |
| ES<br>1.417 | S<br>0.187  | depth<br>0.187 | N-W<br>2.250      | U<br>0.8750 |
| R<br>0.766  | AB<br>5.433 | d1<br>A 3,15   | D<br>3.500        | O<br>7.165  |
| T<br>1.063  | C<br>14.882 | AA<br>NPT 3/4" |                   |             |