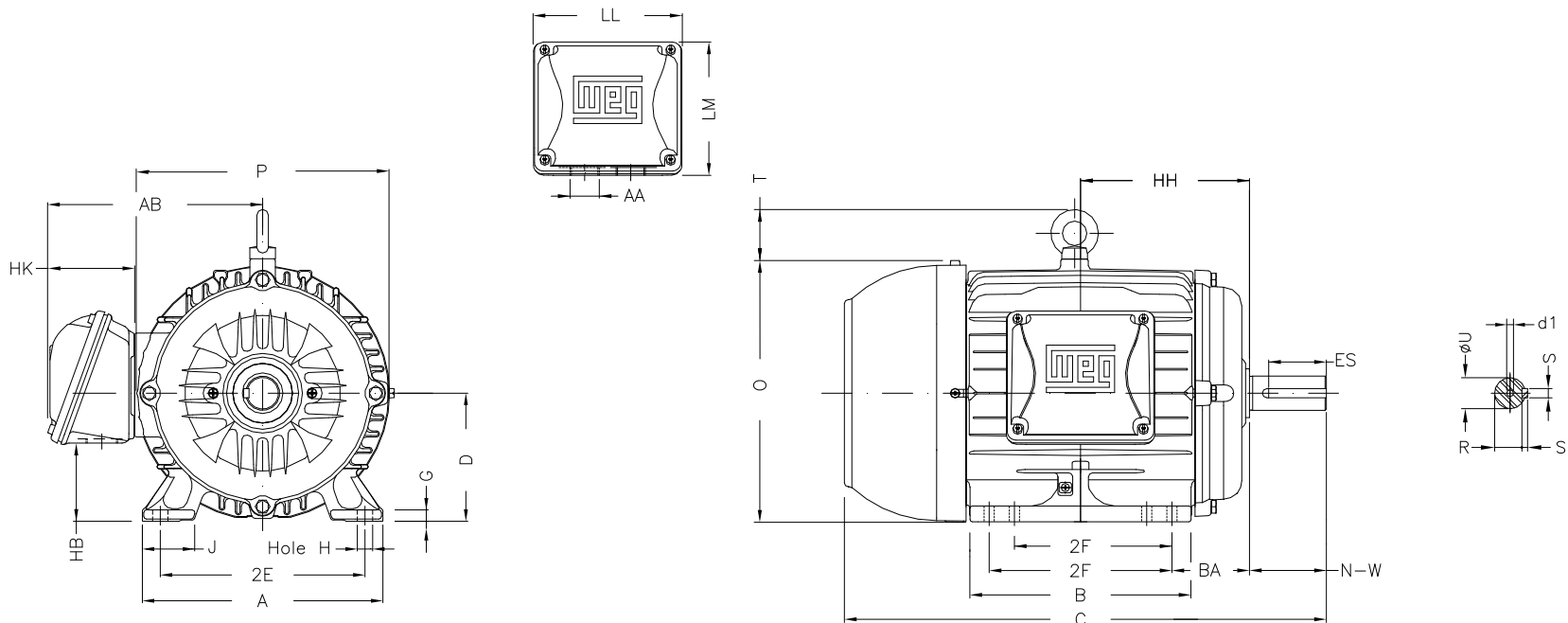


1 2 3 4 5 6 7 8

A
B
C
D
E
F



Notes: Downloaded from <http://dealerselectric.com>
Generated for Model #00336EG3E182T-W22

Performed by:

Checked:

Customer:

W22 Super Premium

Three-phase induction motor

Frame 182/4T - IP55

12-SEP-2016



| | | | | |
|-------------------|-------------|-------------|--------------|----------------|
| 2E 7.500 | J 1.614 | A 8.661 | P 8.937 | AB 7.565 |
| 2F 4.500/5.500 | B 6.969 | BA 2.750 | FBA 5.057 | U 1.125 |
| N-W 2.750 | ES 1.969 | S 0.250 | R 0.984 | depth 0.250 |
| D 4.500 | G 0.394 | HB 2.236 | O 9.343 | T 1.772 |
| HF 4.500 | HH 5.500 | HK 3.150 | H 0.410 | C 15.860 |
| FC 18.307 | LL 5.512 | LM 5.236 | AA NPT 1" | d1 A 4 |