

1 2 3 4 5 6 7 8

A

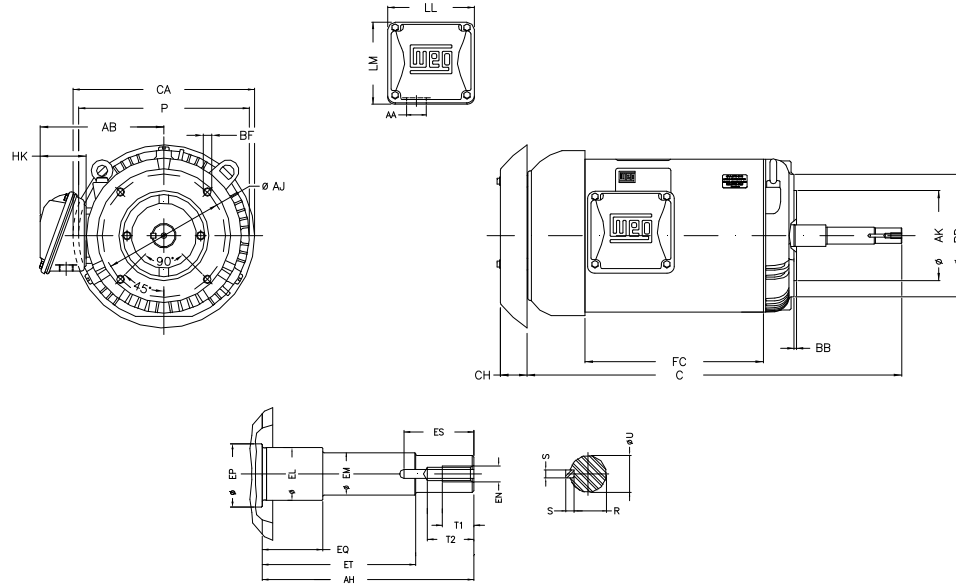
B

C

D

E

F



Notes: Downloaded from <http://dealerselectric.com>
Generated for Model #00318ET3E182JMV-S

Performed by:

Checked:

Customer:

Close Coupled Pump: Three-Phase - W01 (Rolled Steel) "JM" Type - TEFC -

P	AB	AA	ER	EQ
9.435	6.696	1.118"	4.258	0.630
ET	U	EM	EL	EP
2.880	0.8745	1.000	1.250	1.376
ES	t1	t2	C	FC
1.575	0.748	1.102	19.409	10.236
Flange	AJ	AK	BD	BF
FC-149	5.874	4.500	6.496	UNC 3/8"x16
BB	AH			
0.157	4.258			

Three-phase induction motor
Frame 182/4JM - IP55

12-SEP-2016

