

1 2 3 4 5 6 7 8

A

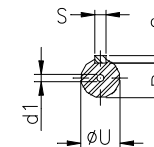
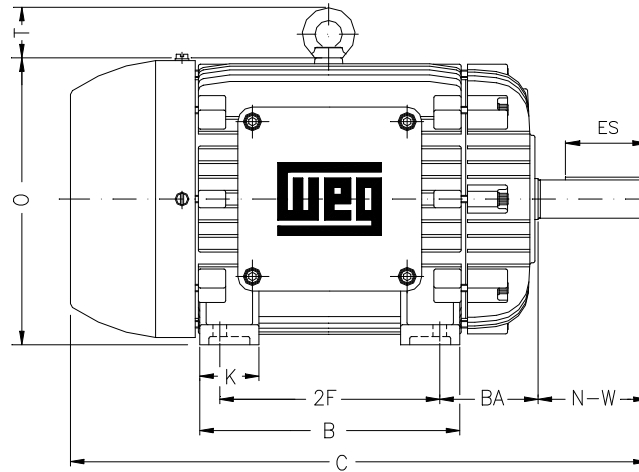
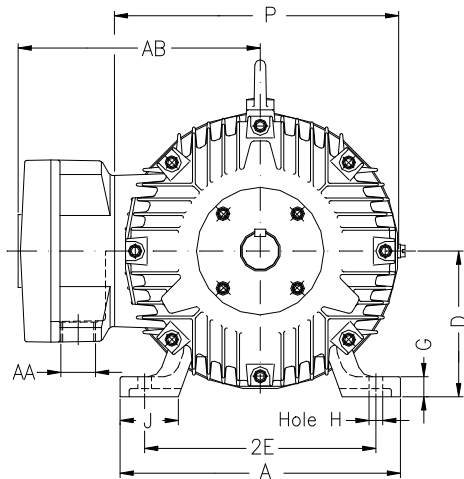
B

C

D

E

F



Notes: Downloaded from <http://dealerselectric.com>
Generated for Model #00309XT3E215T

Performed by:

Checked:

Customer:

Three-Phase : Explosion Proof - NEMA Premium

Three-phase induction motor
Frame 215T - IP55

12-SEP-2016



| | | | | |
|-------------|--------------|-------------|-------------|----------------|
| 2E 8.500 | A 9.764 | 2F 7.000 | B 8.898 | BA 3.500 |
| J 2.008 | K 2.165 | P 10.709 | ES 2.480 | depth 0.313 |
| S 0.313 | N-W 3.375 | U 1.375 | R 1.203 | AB 9.252 |
| D 5.250 | G 0.827 | O 11.156 | T 1.772 | H 0.406 |
| C 19.450 | AA NPT 1" | d1 A 4 | d2 A 4 | |