

1 2 3 4 5 6 7 8

A

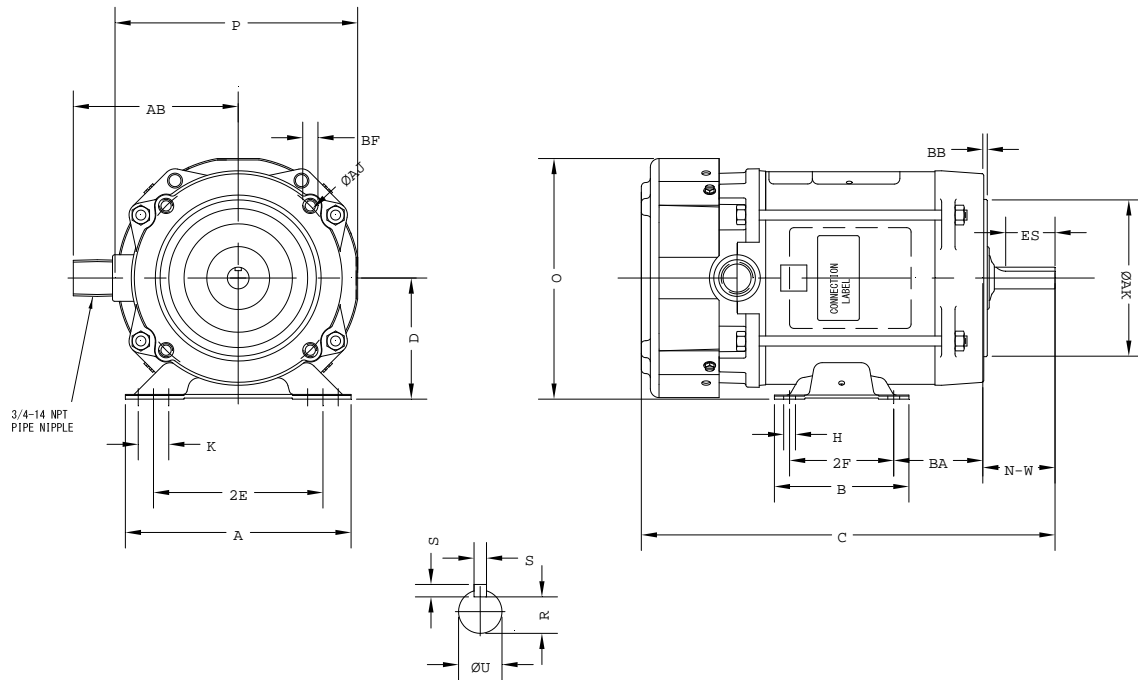
B

C

D

E

F



Notes: Downloaded from <http://dealerselectric.com>
Generated for Model #00236XS3E56HC

Performed by:

Checked:

Customer:

Three-Phase: Fractional Explosion Proof Motors

Three-phase induction motor
Frame 56H - IP55

12-SEP-2016



| | | | | |
|-------------|----------------------|------------------|-------------|-------------|
| 2E 4.880 | A 6.500 | P 6.980 | AB 4.500 | B 5.880 |
| BA 2.750 | U 0.6250 | N-W 1.880 | ES 1.380 | S 0.190 |
| R 0.517 | D 3.500 | O 6.920 | H 0.340 | C 14.040 |
| d1 SEM | 2F 3.000/5.000 | Flange FC-149 | AJ 5.880 | AK 4.500 |
| BD 6.000 | BF UNC 3/8"x16-2B | BB 0.160 | | |