

1 2 3 4 5 6 7 8

A

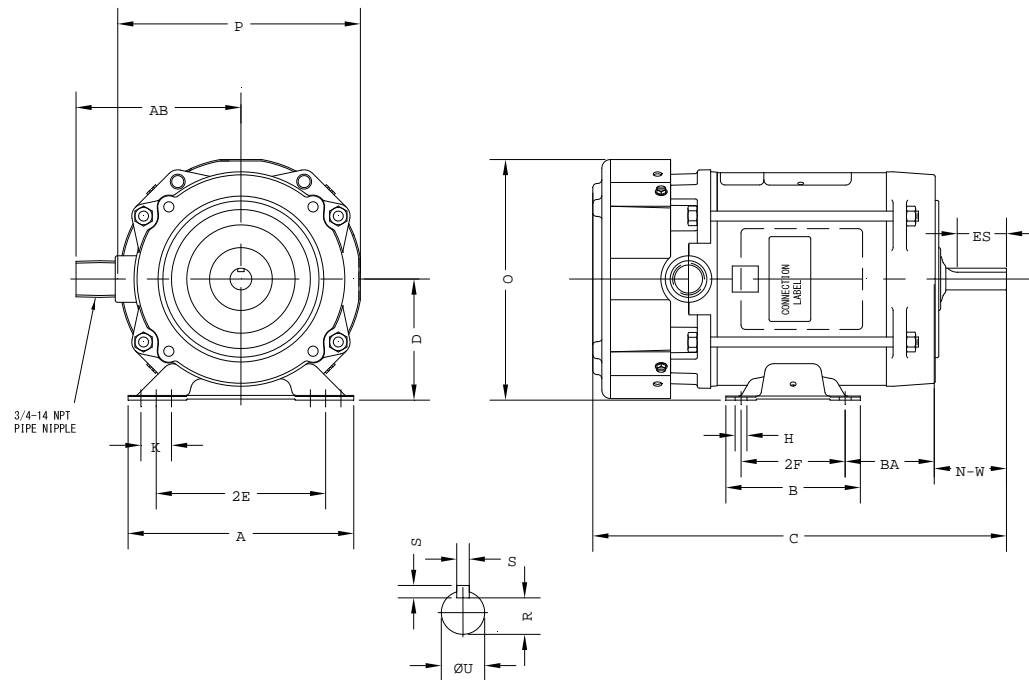
B

C

D

E

F



Notes: Downloaded from <http://dealerselectric.com>
Generated for Model #00236XS3E56H

Performed by:

Checked:

Customer:

Three-Phase: Fractional Explosion Proof Motors

2E	A	P	AB	B
4.880	6.500	6.980	4.500	5.880
BA	U	N-W	ES	S
2.750	0.6250	1.880	1.380	0.190
R	D	O	H	C
0.517	3.500	6.920	0.340	14.040
d1	2F			
SEM	3.000/5.000			

Three-phase induction motor
Frame 56H - IP55

12-SEP-2016

