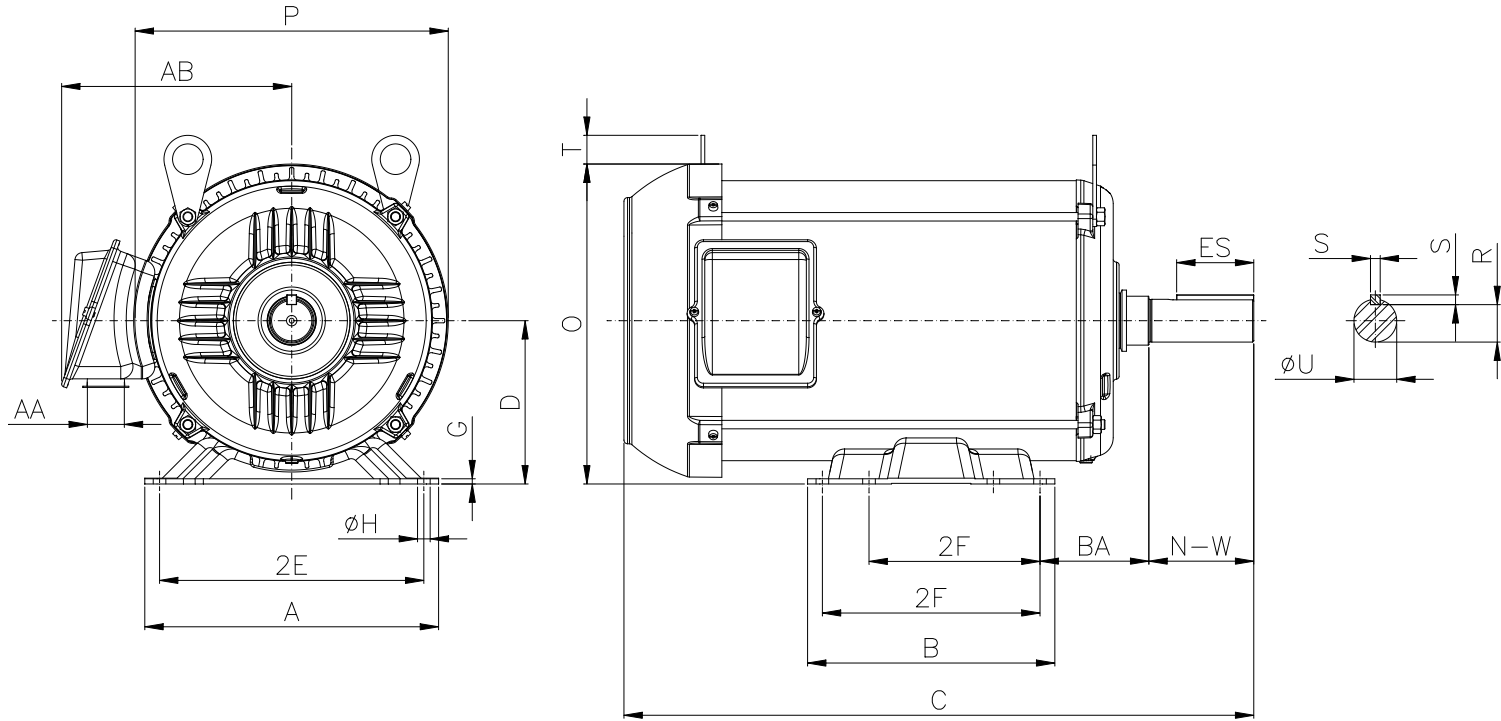


1 2 3 4 5 6 7 8

A
B
C
D
E
F



Notes: Downloaded from <http://dealerselectric.com>
Generated for Model #00236ET3ERS145T

Performed by:

Checked:

Customer:

Three-Phase : Rolled Steel Motor - NEMA Premium Efficiency

2E 5.500	A 6.535	P 7.323	AB 5.945	2F 4.016
B 6.496	BA 2.250	U 0.8750	N-W 2.250	ES 1.417
S 0.187	R 0.766	depth 0.187	D 3.500	O 7.165
T 1.063	H 0.343	C 14.095	FC 7.874	d1 A 4
d2 DM6				

Three-phase induction motor
Frame 143/5T - IP55

12-SEP-2016

