

1 2 3 4 5 6 7 8

A

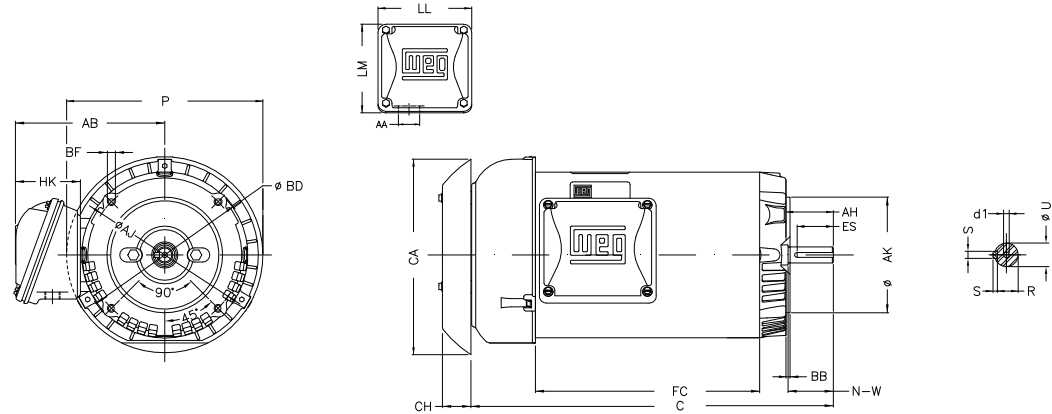
B

C

D

E

F



Notes: Downloaded from <http://dealerselectric.com>  
Generated for Model #00236ET3ER145TC-S

Performed by:

Checked:

Customer:

Three Phase: W01 (Rolled Steel) - TEFC - NEMA Premium Efficiency

Three-phase induction motor  
Frame 143/5T - IP55

12-SEP-2016



|             |        |        |       |        |
|-------------|--------|--------|-------|--------|
| P           | AB     | HK     | FC    | C      |
| 7.638       | 5.882  | 2.638  | 8.268 | 13.976 |
| N-W         | ES     | d1     | S     | U      |
| 2.250       | 1.417  | A 3.15 | 0.187 | 0.875  |
| AA          | depth  | R      | LL    | LM     |
| 1.118"      | 0.187  | 0.771  | 4.543 | 4.106  |
| CH          | Flange | AJ     | AK    | BD     |
| 1.377       | FC-149 | 5.874  | 4.500 | 6.450  |
| BF          | BB     | AH     |       |        |
| UNC 3/8"x16 | 0.157  | 2.132  |       |        |