

1 2 3 4 5 6 7 8

A

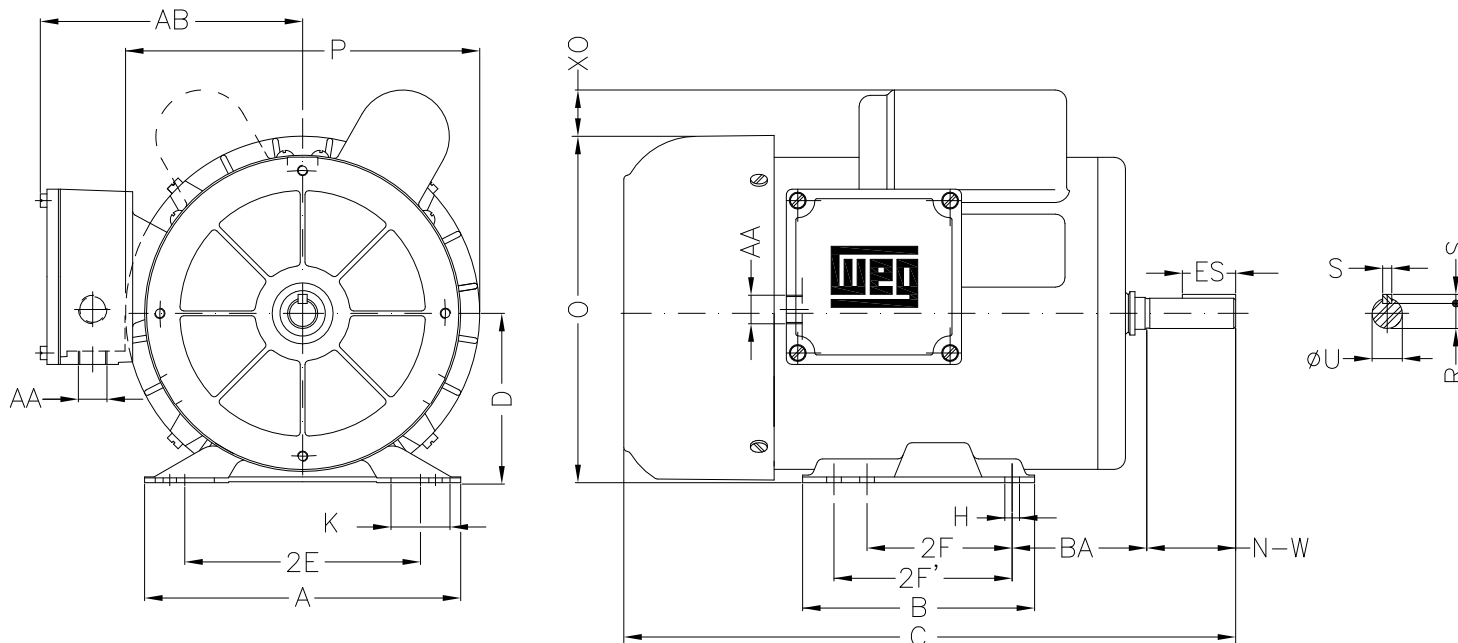
B

C

D

E

F



Notes: Downloaded from <http://dealerselectric.com>
Generated for Model #00236ES1BOLF56

Performed by:

Checked:

Customer:

Single-Phase : NEMA 56 TEFC - With Manual Overload Protection

Single-phase induction motor
Frame F56H - IP55

12-SEP-2016



| | | | | |
|-------------|------------------|----------------|--------------|-------------|
| 2E 4.874 | H 0.342 | A 6.535 | 2F 3.000 | B 6.496 |
| G 3.04 | BA 2.750 | J 1.220 | K 5.000 | P 7.323 |
| ES 1.102 | S 0.187 | depth 0.187 | N-W 1.874 | U 0.6250 |
| R 0.517 | d1 A 3.15 | D 3.500 | O 7.165 | XO 1.063 |
| C 13.464 | AA 2xNPT 1/2" | | | |