

1 2 3 4 5 6 7 8

A

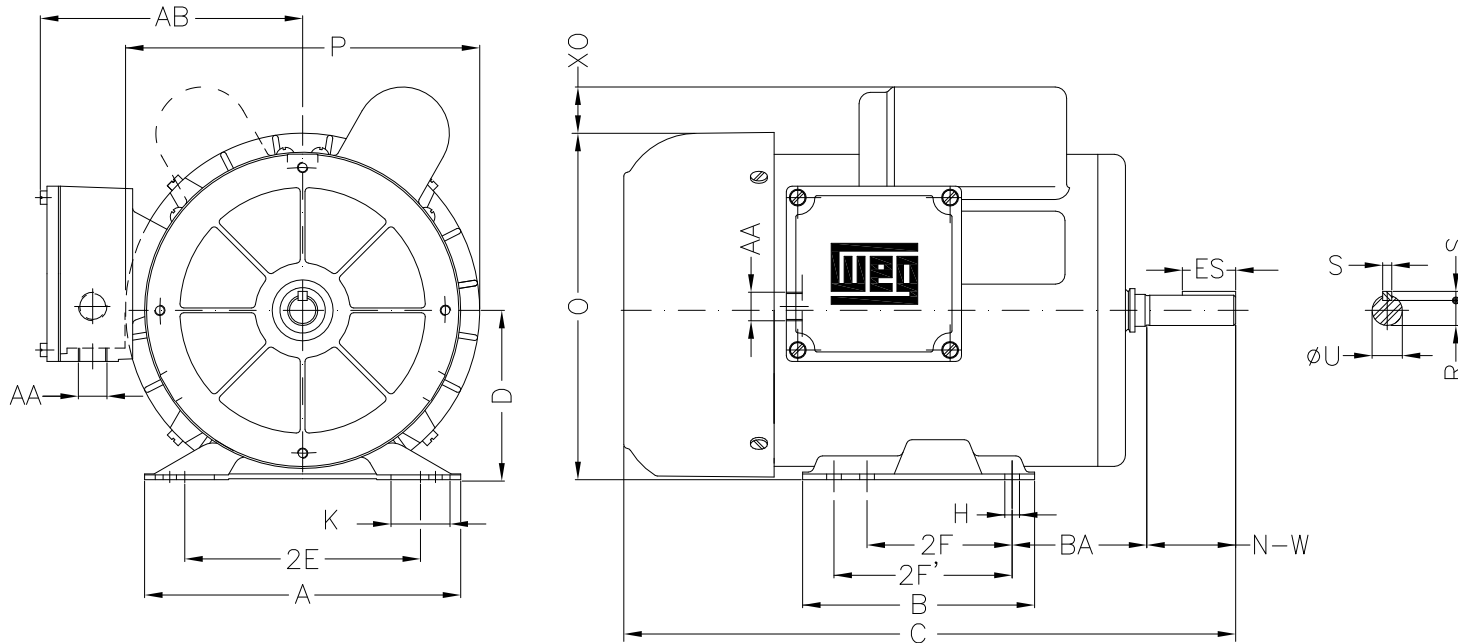
B

C

D

E

F



Notes: Downloaded from <http://dealerselectric.com>
Generated for Model #00236ES1BF56

Performed by:

Checked:

Customer:

Single-Phase : NEMA 56 TEFC

Single-phase induction motor
Frame F56H - IP55

12-SEP-2016



2E 4.874	H 0.342	A 6.535	2F 3.000	B 6.496
G 3.04	BA 2.750	J 1.220	K 5.000	P 7.323
ES 1.102	S 0.187	depth 0.187	N-W 1.874	U 0.6250
R 0.517	d1 A 3.15	D 3.500	O 7.165	XO 1.063
C 13.464	AA 2xNPT 1/2"			