

1 2 3 4 5 6 7 8

A

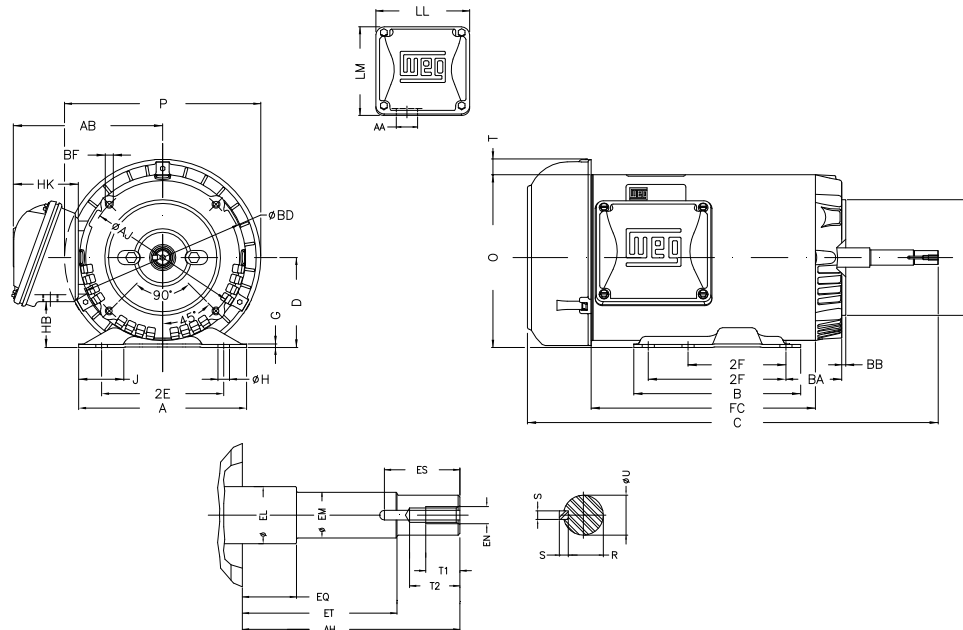
B

C

D

E

F



Notes: Downloaded from <http://dealerselectric.com>
Generated for Model #00236EP3E145JM-S

Performed by:

Checked:

Customer:

Close Coupled Pump: Three-Phase - W01 (Rolled Steel) "JM" Type - TEFC -

Three-phase induction motor
Frame 143/5JM - IP55

12-SEP-2016



2E 5.500	J 1.732	A 6.535	P 7.638	AB 5.873
2F 4.000/5.000	B 6.496	BA 2.750	D 3.500	G 0.120
O 6.724	T 0.603	H 0.343	AA 1.118"	ER 4.258
EQ 0.630	ET 2.880	U 0.8745	EM 1.000	EL 1.156
EP 1.179	ES 1.575	t1 0.787	t2 1.102	C 15.709
CH 1.377	FC 7.874	Flange FC-149	AJ 5.874	AK 4.500
BD 6.450	BF UNC 3/8"x16	BB 0.157	AH 4.267	