

1 2 3 4 5 6 7 8

A

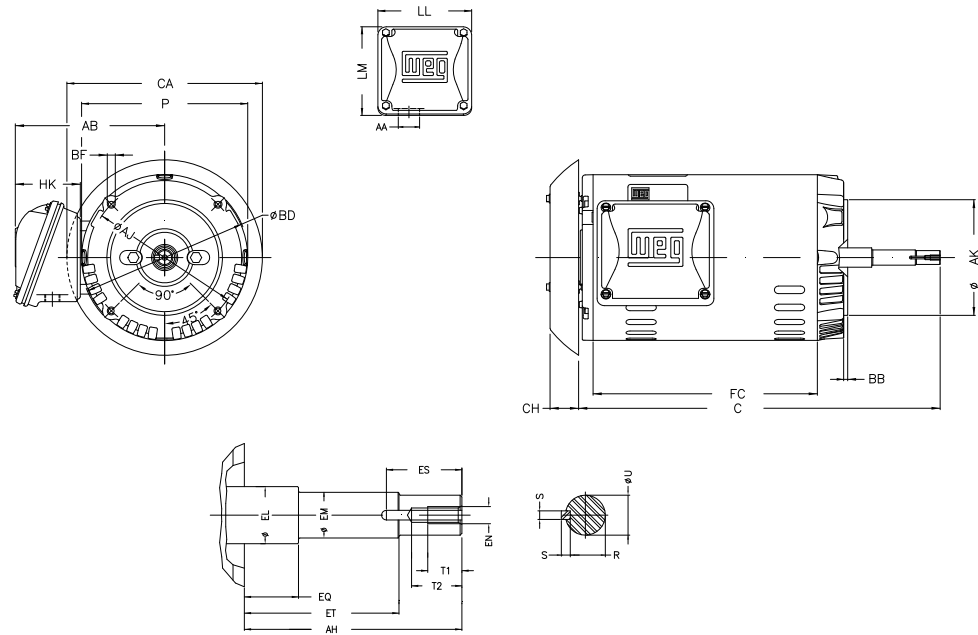
B

C

D

E

F



Notes: Downloaded from <http://dealerselectric.com>
Generated for Model #00218OT3E145JMV-S

Performed by:

Checked:

Customer:

Close Coupled Pump: Three-Phase - W01 (Rolled Steel) "JM" Type - ODP -

Three-phase induction motor
Frame 143/5JM - ODP

12-SEP-2016



| | | | | |
|------------------|-------------|--------------|-------------|-------------------|
| P 6.456 | AB 5.873 | AA 1.118" | ER 4.258 | EQ 0.630 |
| ET 2.880 | U 0.8745 | EM 1.000 | EL 1.156 | EP 1.179 |
| ES 1.575 | t1 0.787 | t2 1.102 | C 14.882 | FC 9.055 |
| Flange FC-149 | AJ 5.874 | AK 4.500 | BD 6.450 | BF UNC 3/8"x16 |
| BB 0.157 | AH 4.267 | | | |