

1 2 3 4 5 6 7 8

A

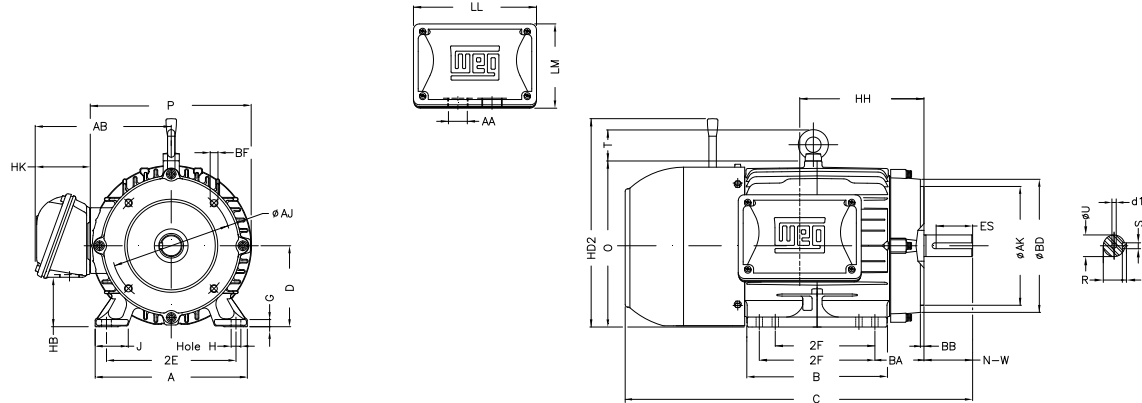
B

C

D

E

F



Notes: Downloaded from <http://dealerselectric.com>
Generated for Model #00218ET3EBMQ145TC-W2

Performed by:

Checked:

Customer:

W22 Brake Motor - NEMA Premium Efficiency

Three-phase induction motor
Frame 143/5T - IP55

12-SEP-2016



| | | | | |
|-------------------|-------------|--------------|-------------------|------------------|
| 2E 5.500 | J 1.437 | A 6.457 | P 7.047 | AB 6.263 |
| 2F 4.000/5.000 | B 6.142 | BA 2.250 | U 0.875 | N-W 2.250 |
| ES 1.575 | S 0.187 | R 0.771 | D 3.500 | G 0.354 |
| HB 1.727 | O 7.122 | HF 3.500 | HH 4.750 | HK 2.733 |
| H 0.344 | C 16.231 | LL 5.961 | LM 4.215 | AA NPT 3/4" |
| HD' 5.154 | d1 A 4 | HD2 8.697 | T 0.000 | Flange FC-149 |
| AJ 5.875 | AK 4.500 | BD 6.500 | BF UNC 3/8"x16 | BB 0.156 |
| BC 0.125 | AH 2.125 | | | |