

1 2 3 4 5 6 7 8

A

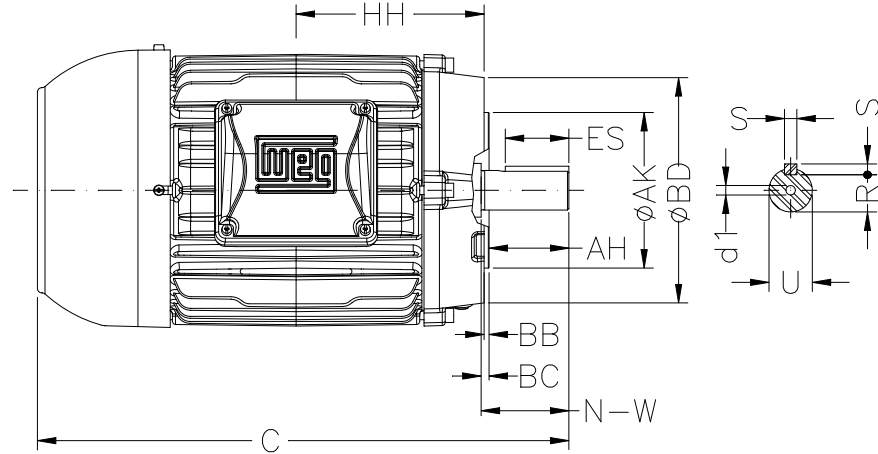
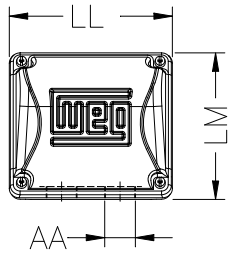
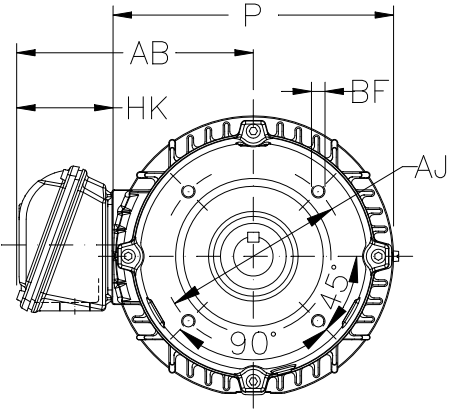
B

C

D

E

F



Notes: Downloaded from <http://dealerselectric.com>  
Generated for Model #00218EP3ER145TC-W22

Performed by:

Checked:

Customer:

W22 High Efficiency

Three-phase induction motor  
Frame 145T - IP55

12-SEP-2016



P 7.244	AB 6.260	U 0.875	N-W 2.250	ES 1.575
S 0.187	R 0.771	depth 0.187	HH 4.750	HK 2.638
C 13.346	FC 15.202	LL 4.528	LM 4.094	AA NPT 3/4"
d1 A 3.15	Flange FC-149	AJ 5.875	AK 4.500	BD 6.500
BF UNC 3/8"x16	BB 0.157	BC 0.125	AH 2.125	