

1 2 3 4 5 6 7 8

A

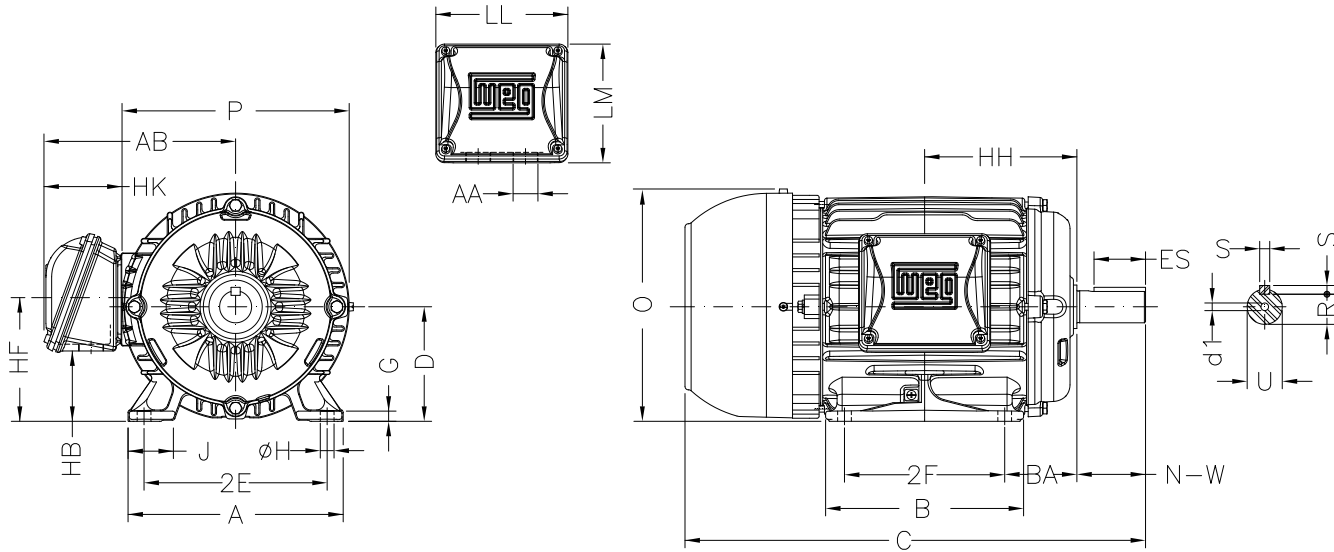
B

C

D

E

F



Notes: Downloaded from <http://dealerselectric.com>
Generated for Model #00218EG3EL145T-W22

Performed by:

Checked:

Customer:

W22 Super Premium

Three-phase induction motor
Frame L143/5T - IP55

12-SEP-2016



| | | | | |
|-------------|--------|-------|-------|-------|
| 2E | J | A | P | AB |
| 5.500 | 1.437 | 6.457 | 7.047 | 6.260 |
| 2F | B | BA | FBA | U |
| 4.000/5.000 | 6.142 | 2.250 | 4.082 | 0.875 |
| N-W | ES | S | R | depth |
| 2.250 | 1.575 | 0.187 | 0.771 | 0.187 |
| D | G | HB | O | HF |
| 3.500 | 0.354 | 1.787 | 7.122 | 3.500 |
| HH | HK | H | LL | LM |
| 4.750 | 2.638 | 0.344 | 4.528 | 4.094 |
| AA | d1 | | | |
| NPT 3/4" | A 3.15 | | | |