

1 2 3 4 5 6 7 8

A

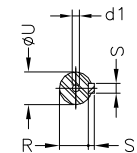
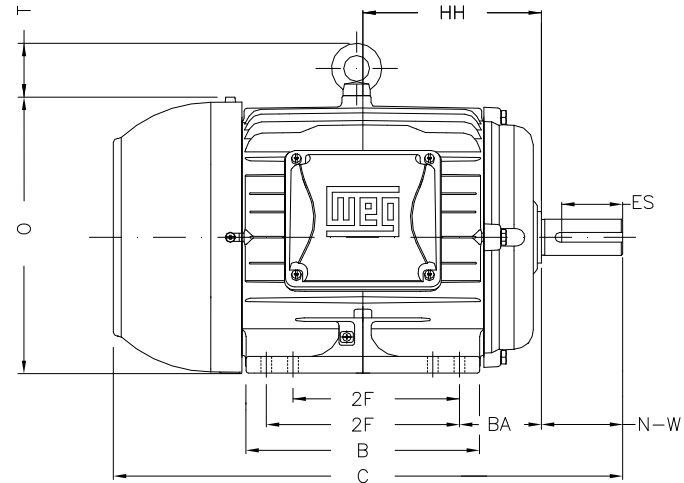
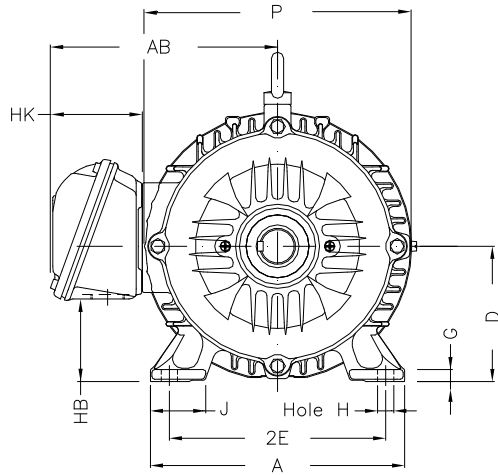
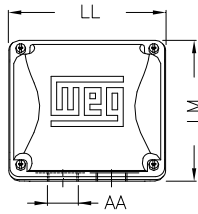
B

C

D

E

F



Notes: Downloaded from <http://dealerselectric.com>  
Generated for Model #00209EP3E213T-W22

Performed by:

Checked:

Customer:

W22 High Efficiency

Three-phase induction motor  
Frame 213/5T - IP55

12-SEP-2016



|                   |              |             |              |              |
|-------------------|--------------|-------------|--------------|--------------|
| 2E<br>8.500       | J<br>1.772   | A<br>9.764  | P<br>10.669  | AB<br>8.583  |
| 2F<br>5.500/7.000 | K<br>2.165   | B<br>8.858  | BA<br>3.500  | FBA<br>5.921 |
| U<br>1.375        | N-W<br>3.375 | ES<br>2.480 | S<br>0.313   | R<br>1.203   |
| depth<br>0.313    | D<br>5.250   | G<br>0.669  | HB<br>2.985  | O<br>10.841  |
| T<br>1.772        | HF<br>5.250  | HH<br>7.000 | HK<br>3.150  | H<br>0.410   |
| C<br>19.517       | LL<br>5.512  | LM<br>5.236 | AA<br>NPT 1" | d1<br>A 4    |