

1 2 3 4 5 6 7 8

A

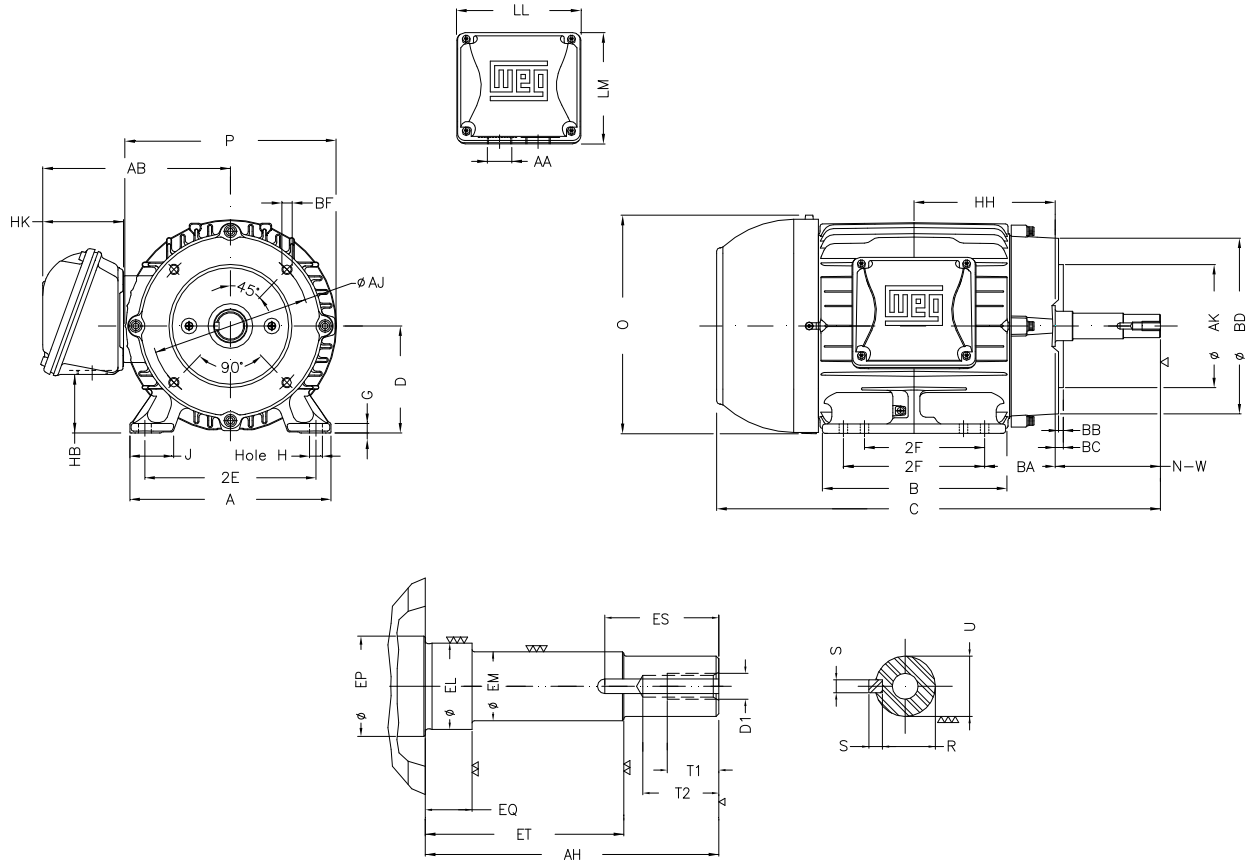
B

C

D

E

F



Notes: Downloaded from <http://dealerselectric.com>
Generated for Model #00158ET3E145JP-W22

Performed by:

Checked:

Customer:

Close Coupled Pump: Three-Phase - W22 "JP" Type - TEFC - NEMA Premium

Three-phase induction motor
Frame 143/5JP - IP55

12-SEP-2016



| | | | | |
|-------------------|------------------|----------------|--------------------|-------------|
| 2E 5.500 | J 1.437 | A 6.457 | P 7.047 | AB 6.260 |
| 2F 4.000/5.000 | B 6.142 | BA 2.560 | D 3.500 | G 0.354 |
| O 7.122 | H 0.344 | AA NPT 3/4" | EQ 1.563 | ET 5.941 |
| U 0.874 | EM 1.000 | EL 1.156 | EP 1.179 | ES 1.654 |
| t1 0.748 | t2 1.102 | C 18.736 | d1 EUNC 3/8"-16 | HH 4.750 |
| HK 2.638 | HB 1.787 | LL 4.528 | LM 4.094 | S 0.187 |
| R 0.768 | Flange FC-149 | AJ 5.874 | AK 4.500 | BD 6.496 |
| BF UNC 3/8"x16 | BB 0.157 | AH 7.319 | | |