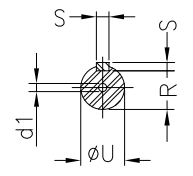
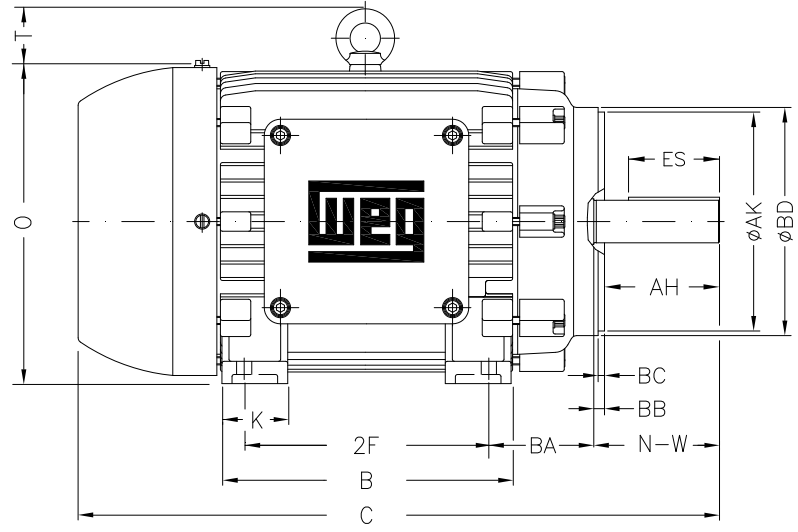
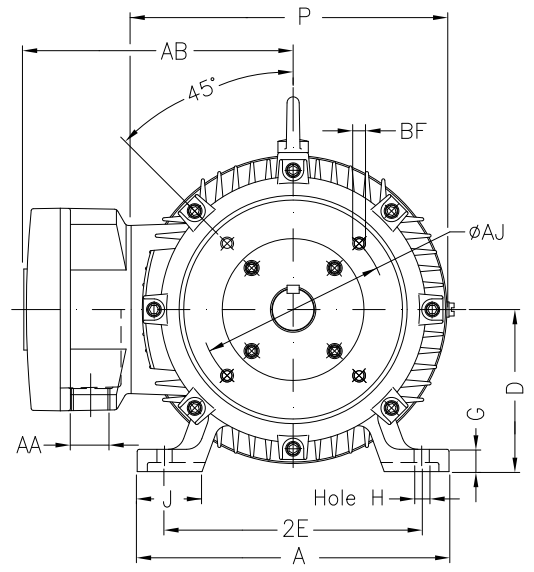


1 2 3 4 5 6 7 8

A  
B  
C  
D  
E  
F



Notes: Downloaded from <http://dealerselectric.com>  
Generated for Model #00156XT3E143TC

2E 5.500	A 6.457	2F 4.000	B 5.157	BA 2.250
J 1.496	K 1.654	P 7.000	ES 1.575	depth 0.187
S 0.187	N-W 2.250	U 0.875	R 0.771	AB 6.811
D 3.500	G 0.429	O 7.000	T 0.000	H 0.344
C 12.760	AA NPT 3/4"	d1 A 4	d2 A 4	Flange FC-149
AJ 5.875	AK 4.500	BD 6.500	BF UNC 3/8"x16	BB 0.156
BC 0.125	AH 2.125			

Performed by:

Checked:

Customer:

Three-Phase : Explosion Proof - NEMA Premium

Three-phase induction motor  
Frame 143T - IP55

12-SEP-2016

