

1 2 3 4 5 6 7 8

A

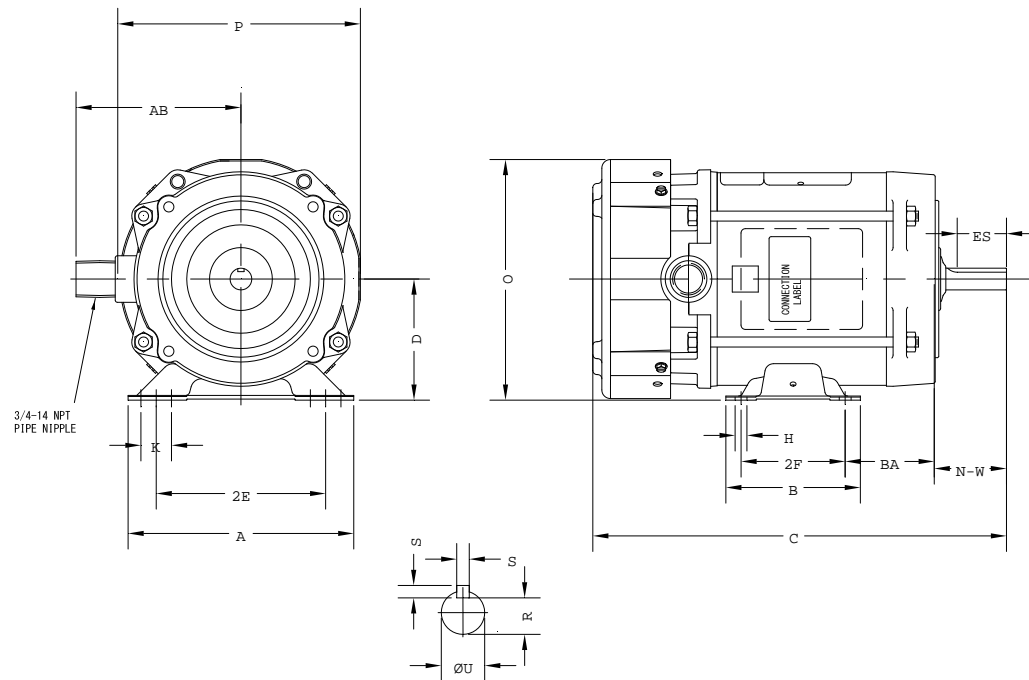
B

C

D

E

F



Notes: Downloaded from <http://dealerselectric.com>
Generated for Model #00156XS1C56

Performed by:

Checked:

Customer:

Single-Phase: Fractional Explosion Proof Motors

Single-phase induction motor
Frame 56 - IP55

12-SEP-2016



2E 4.880	A 6.500	P 6.980	AB 4.500	B 3.880
BA 2.750	U 0.6250	N-W 1.880	ES 1.380	S 0.190
R 0.517	D 3.500	O 6.920	H 0.340	C 14.040
d1 SEM				