

1 2 3 4 5 6 7 8

A

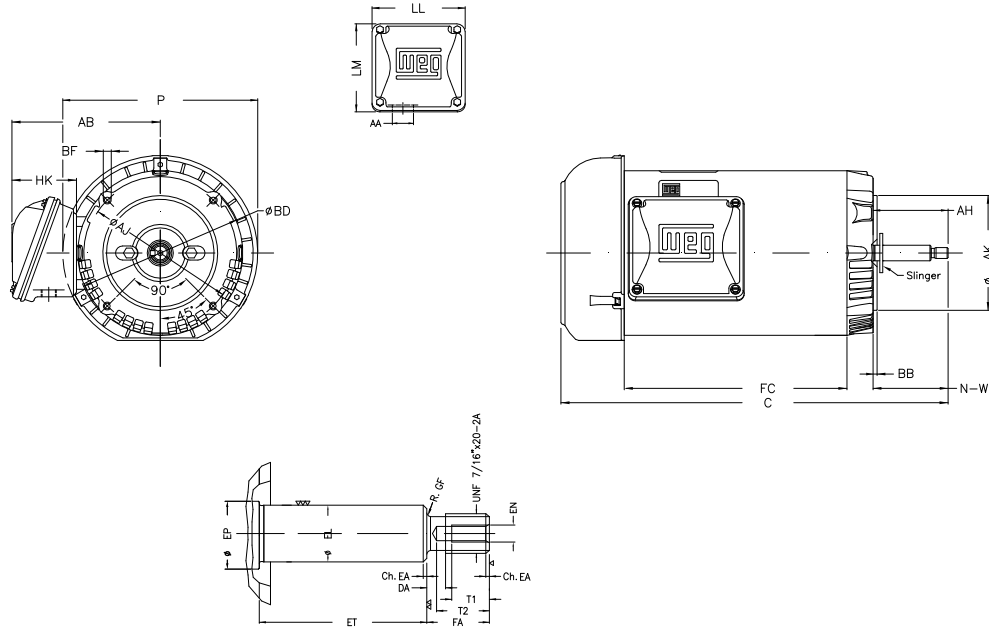
B

C

D

E

F



Notes: Downloaded from <http://dealerselectric.com>  
Generated for Model #00156ES3EJPR56J-S

Performed by:

Checked:

Customer:

Jet Pump: Three-Phase - W01 (Rolled Steel) - Threaded - TEFC - Standard

Three-phase induction motor  
Frame 56J - IP55

12-SEP-2016



P 7.638	AB 5.882	AA 0.881"	ET 1.874	U 0.625
EL 0.625	EP 0.665	t1 0.472	t2 0.590	C 12.835
FC 6.693	Flange FC-149	AJ 5.874	AK 4.500	BD 6.450
BF UNC 3/8"x16-2B	BB 0.157	AH 2.562		