

1 2 3 4 5 6 7 8

A

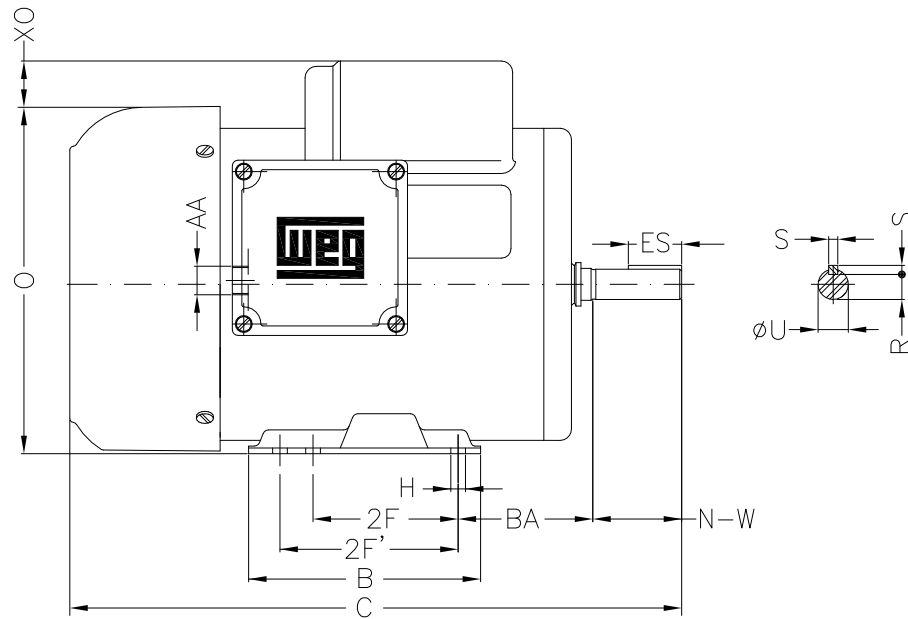
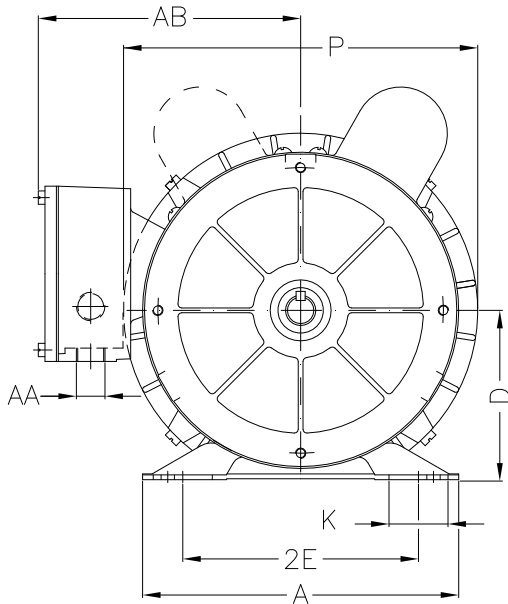
B

C

D

E

F



Notes: Downloaded from <http://dealerselectric.com>
Generated for Model #00156ES1B143T

Performed by:

Checked:

Customer:

Single-Phase : NEMA 56 TEFC

2E 5.500	H 0.343	A 6.535	2F 4.000/5.000	B 6.496
BA 2.250	J 1.732	K 2.25	P 7.323	ES 1.417
S 0.187	depth 0.187	N-W 2.250	U 0.875	R 0.766
AB 5.433	d1 A 4	D 3.500	O 7.165	T 0.237
C 14.488	AA NPT 1/2"			

Single-phase induction motor
Frame F143/5T - IP55

12-SEP-2016

