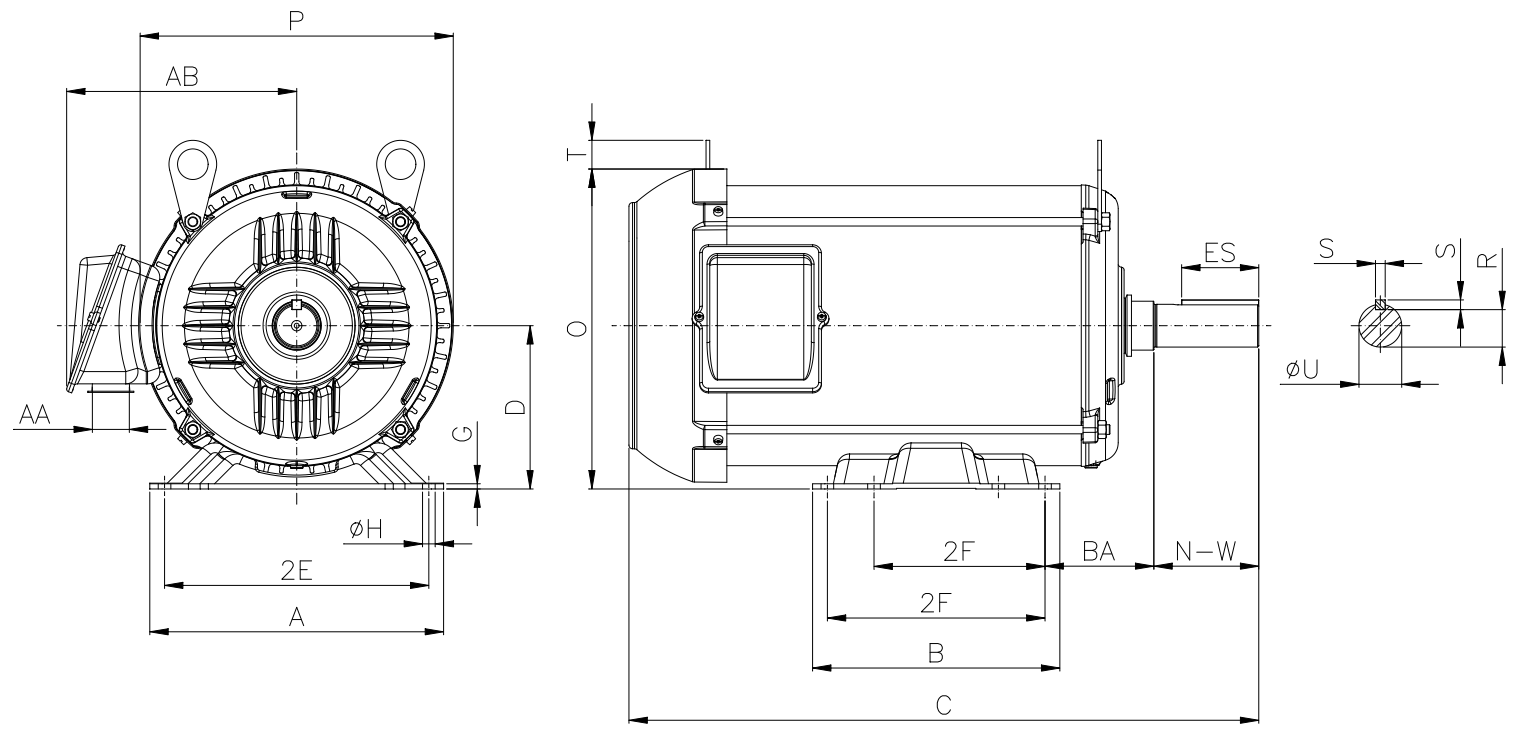


1 2 3 4 5 6 7 8

A
B
C
D
E
F



Notes: Downloaded from <http://dealerselectric.com>
Generated for Model #00152ET3HRS182T

Performed by:

Checked:

Customer:

Three-Phase : Rolled Steel Motor - NEMA Premium Efficiency

| | | | | |
|-------------|-------------|----------------|--------------|-------------------|
| 2E 7.500 | A 8.661 | P 8.694 | AB 6.353 | 2F 4.500/5.500 |
| B 6.299 | BA 2.750 | U 1.125 | N-W 2.750 | ES 1.969 |
| S 0.250 | R 0.984 | depth 0.250 | D 4.500 | G 0.167 |
| O 8.847 | T 0.902 | H 0.406 | C 16.404 | d1 A 4 |
| d2 A 4 | | | | |

Three-phase induction motor
Frame 182T - IP55

12-SEP-2016

