

1 2 3 4 5 6 7 8

A

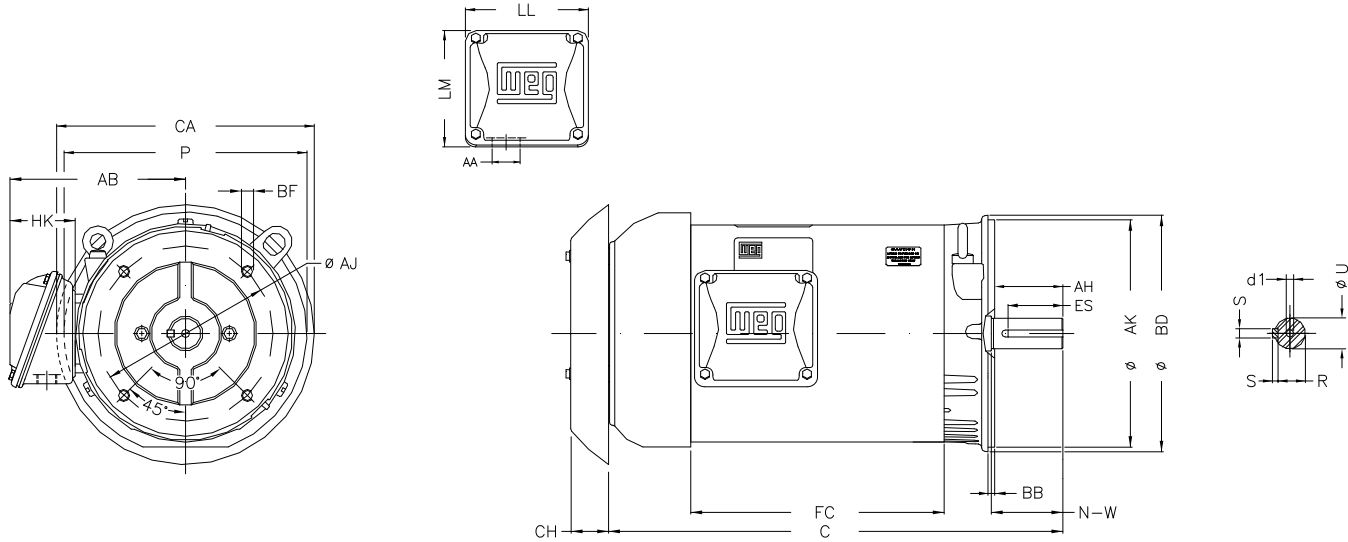
B

C

D

E

F



Notes: Downloaded from <http://dealerselectric.com>  
Generated for Model #00152EP3ER182TC-S

Performed by:

Checked:

Customer:

Three Phase: W01 (Rolled Steel) - TEFC - High Efficiency

Three-phase induction motor  
Frame 182/4T - IP55

12-SEP-2016



|                   |                  |              |             |             |
|-------------------|------------------|--------------|-------------|-------------|
| P<br>9.435        | AB<br>6.696      | HK<br>2.629  | FC<br>9.449 | C<br>17.126 |
| N-W<br>2.750      | ES<br>1.969      | d1<br>A 3.15 | S<br>0.250  | U<br>1.125  |
| AA<br>1.118"      | depth<br>0.250   | R<br>0.984   | LL<br>4.563 | LM<br>4.090 |
| CH<br>1.377       | Flange<br>FC-184 | AJ<br>7.250  | AK<br>8.500 | BD<br>8.846 |
| BF<br>UNC 1/2"x13 | BB<br>0.250      | AH<br>2.620  |             |             |